

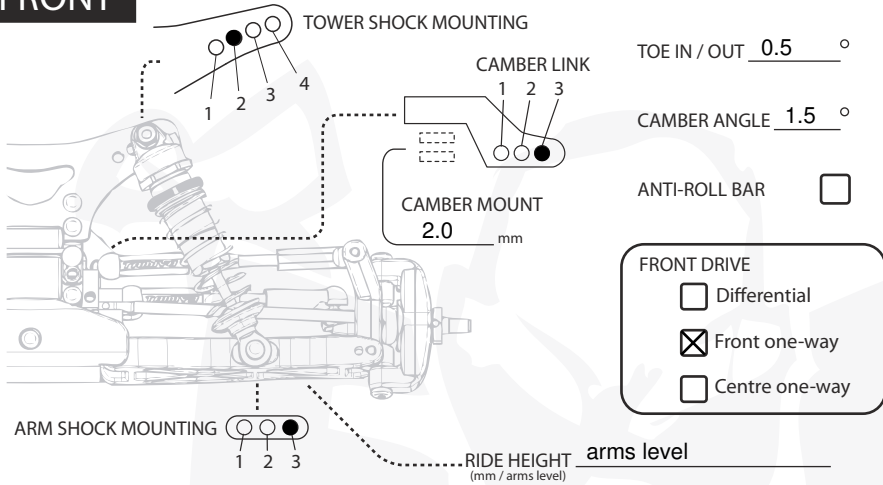


www.oople.com

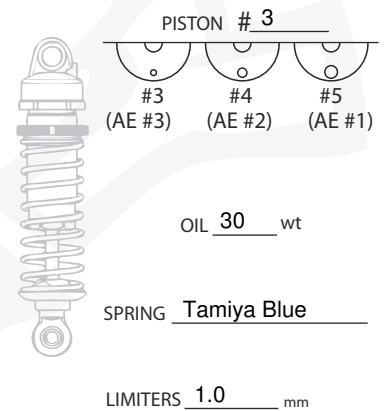
セッティングシート
SETTING SHEET

DRIVER _____
DATE 8/9/07 TRACK Ipswich - Australia
EVENT 2007 SEQ Championships - TQ & 1st

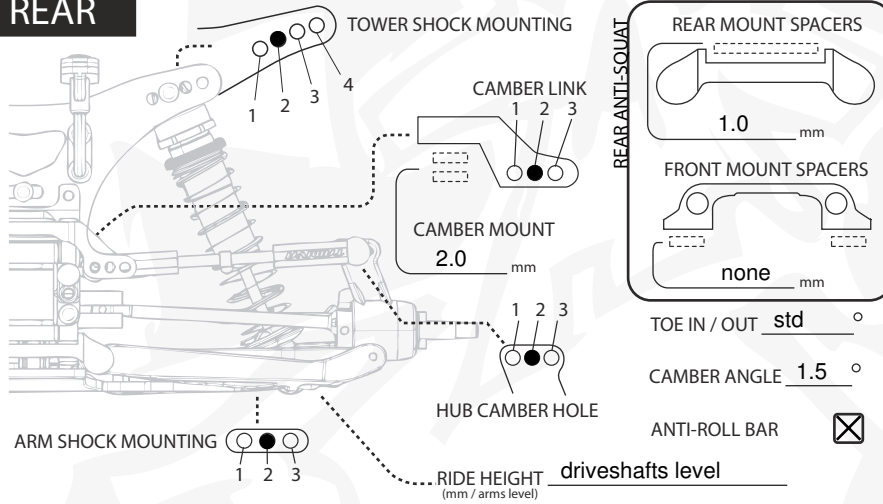
FRONT



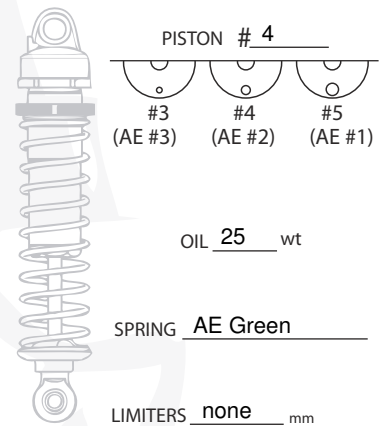
SHOCKS



REAR



SHOCKS

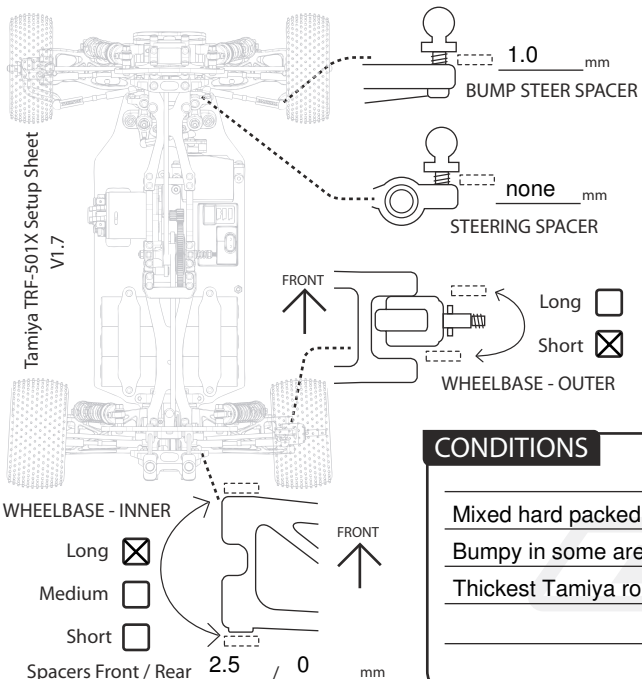


FRONT WHEELS

TYRES Proline Holeshot M3 INSERTS standard WHEELS Losi HOLES _____ mm

REAR WHEELS

TYRES Proline Holeshot M3 INSERTS standard WHEELS Tamiya HOLES _____ mm



ELECTRICS

SERVO Futaba 9550 ESC MRT

BATTERIES Harris IB4200 RECEIVER Futaba

MOTOR

MOTOR & WIND Brood Co27

BRUSHES _____ SPRING _____

PINION / SPUR 20 T / 87 T

OTHER

BODY std WING ANGLE SHIM

WING std FRONT

CONDITIONS

SMOOTH SANDY

BUMPY SOFT DIRT

LOW TRACTION GRASS

Mixed hard packed dirt and astroturf track MED TRACTION BLUE GROOVE

Bumpy in some areas HIGH TRACTION CLAY

Thickest Tamiya roll bar on rear WET DUSTY

DRY OTHER