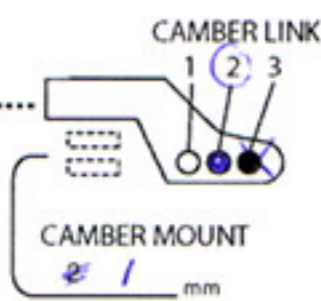
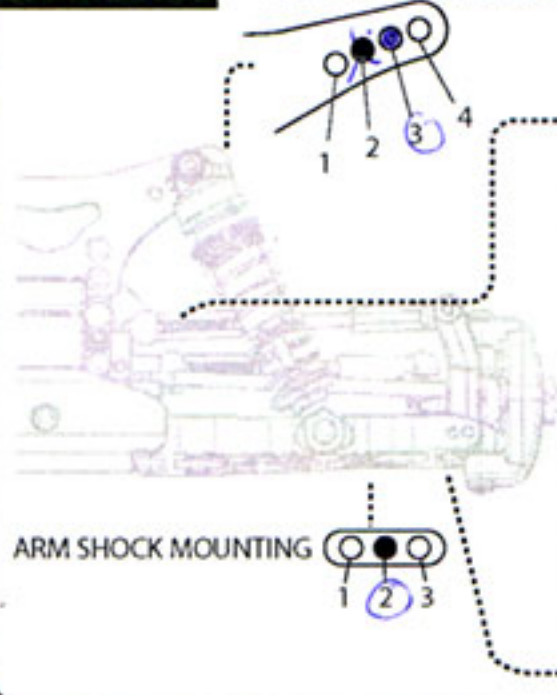




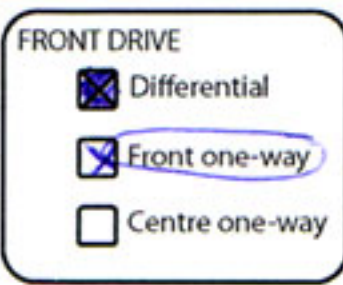
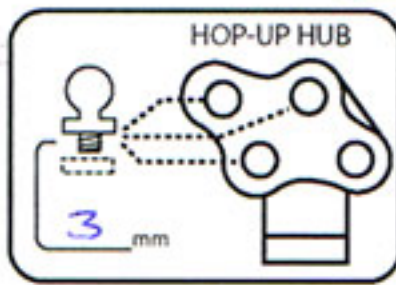
DRIVER Hopoff West  
 DATE 17.2007 TRACK Vaasa  
 EVENT Teeling at Euros '07 track

**FRONT**

TOWER SHOCK MOUNTING

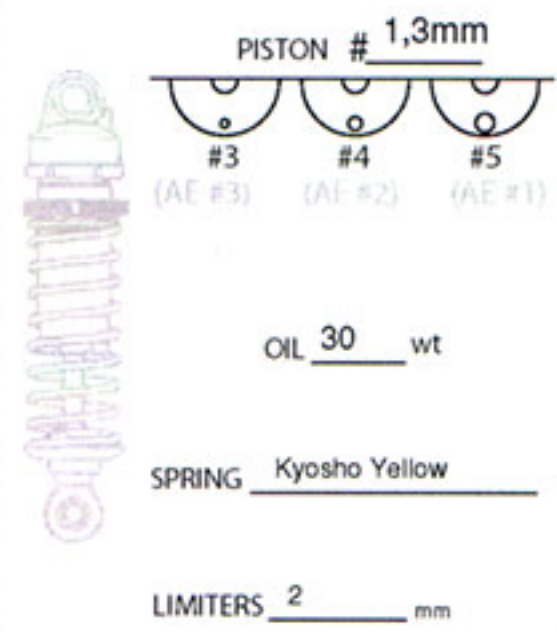


TOE IN / OUT 0 - 0.5  
 CAMBER ANGLE 1.5



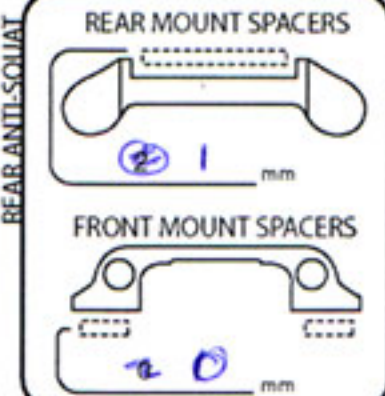
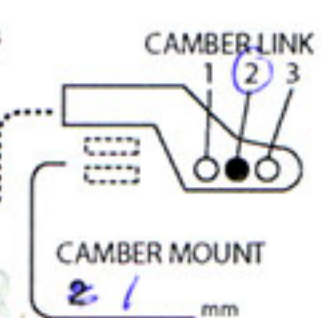
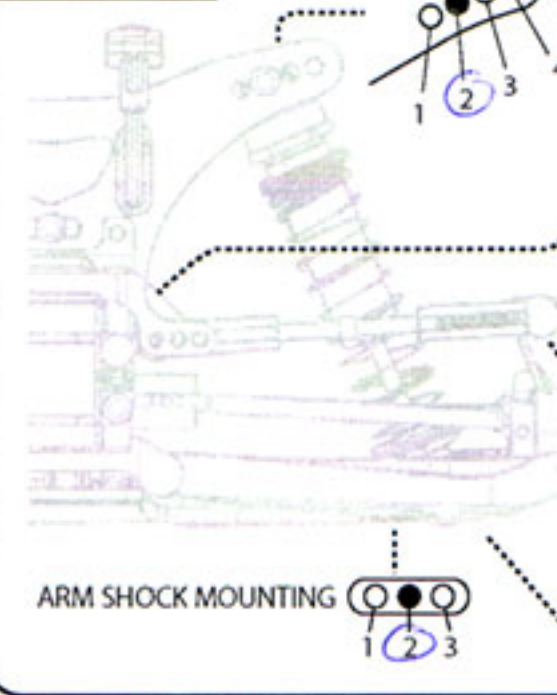
RIDE HEIGHT (mm / arms level) DOG BONE LEVEL

**SHOCKS**



**REAR**

TOWER SHOCK MOUNTING

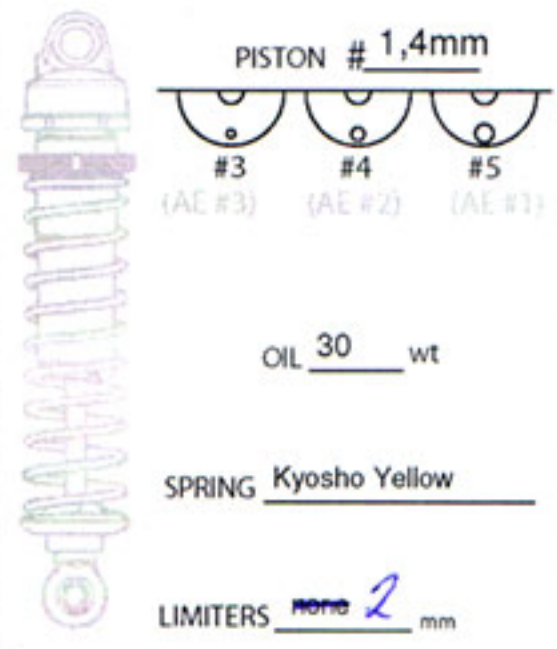


TOE IN / OUT 3 (std)  
 CAMBER ANGLE 1.5



RIDE HEIGHT (mm / arms level) DOG BONE LEVEL

**SHOCKS**

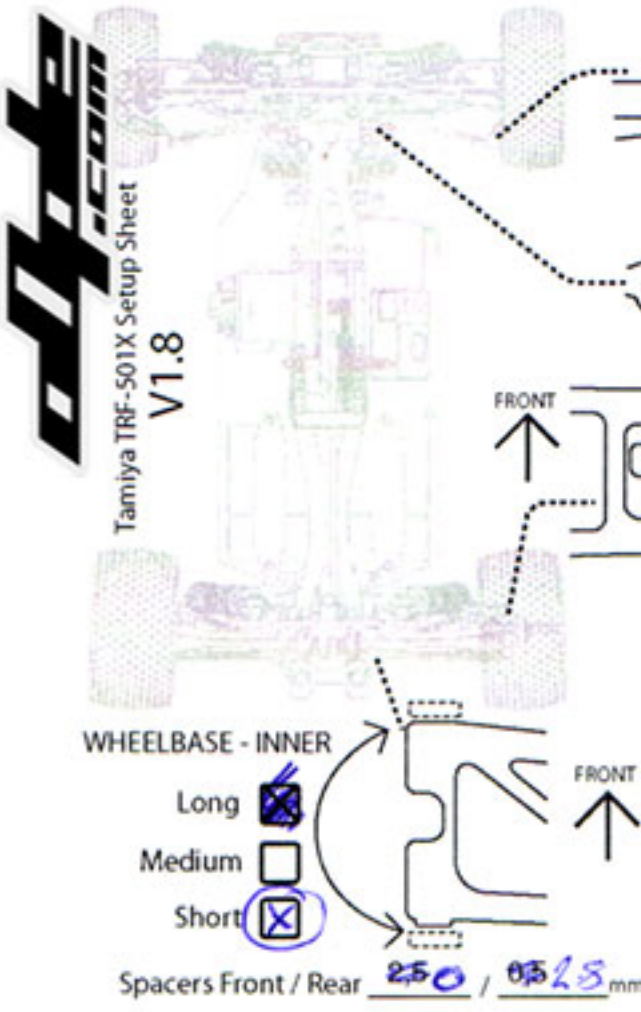


FRONT WHEELS

TYRES Predator HoleShot INSERTS STD. WHEELS TAMIYA HOLES 2x6 mm

REAR WHEELS

TYRES Predator HoleShot INSERTS STD WHEELS TAMIYA HOLES 2x6 mm



**ELECTRICS**

SERVO 9451 ESC LRP Brushless  
 BATTERIES IB42WC 6 cell RECEIVER FUTABA

**MOTOR**

MOTOR & WIND TOX 4.5T Sinteron LRP  
 BRUSHES — SPRING —  
 PINION / SPUR 18-15 T / 87-96 T

**OTHER**

BODY standard WING ANGLE SHIM   
 WING standard 2 FLAPS Full side

**CONDITIONS**

- SMOOTH
  - BUMPY
  - LOW TRACTION
  - MED TRACTION
  - HIGH TRACTION
  - WET
  - DRY
  - SANDY
  - SOFT DIRT
  - GRASS
  - BLUE GROOVE
  - CLAY
  - DUSTY
  - OTHER
- Optional #53977 and #53978 pistons  
 Associated white slipper pads  
~~MIP blue damper o-rings~~  
 Losi damper oil