

# TRF416

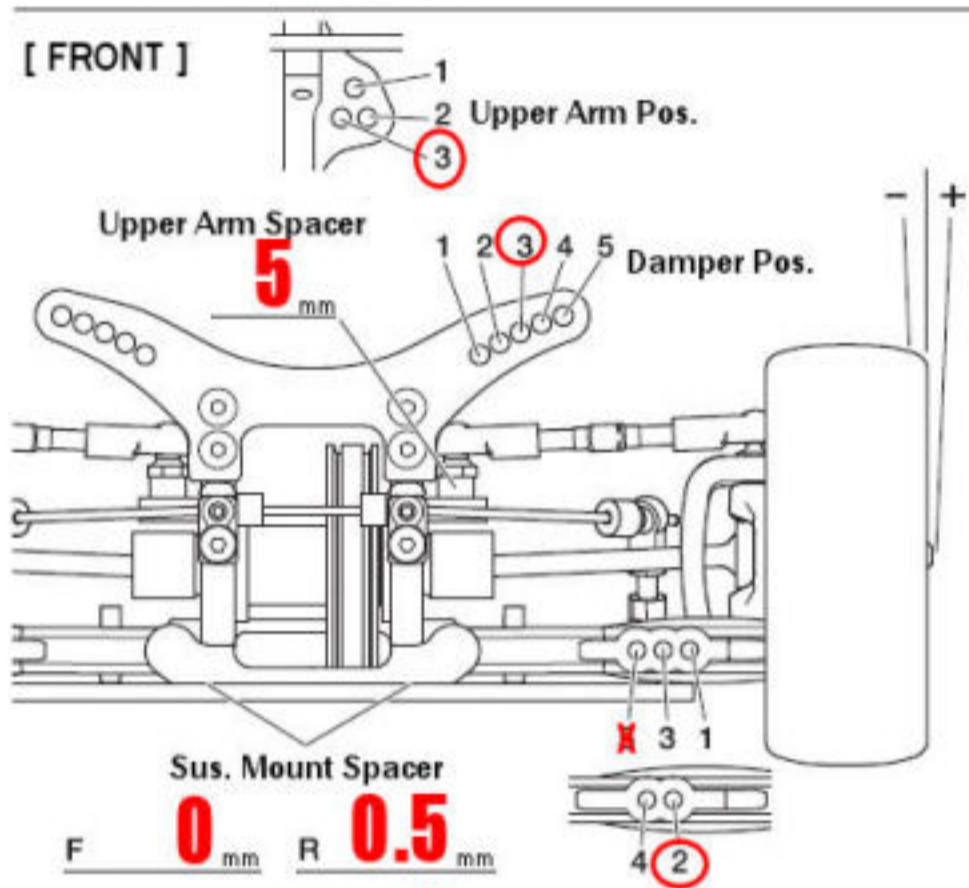
TAMIYA RACING FACTORY

CHASSIS KIT  
1/10 SCALE R/C 4WD RACING CAR  
TRF416 CHASSIS KIT

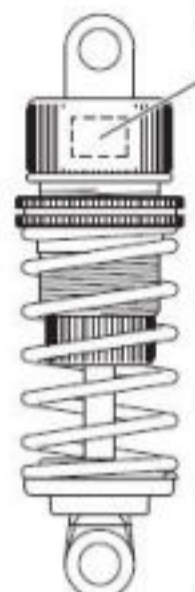
## SETTING SHEET

Name **Ed Clark** Date **03/02/08** Air Temp. \_\_\_\_\_ Humidity \_\_\_\_\_  
Track **IoWRCCC** Track Condition **Med - High** Track Temp \_\_\_\_\_

[ FRONT ]

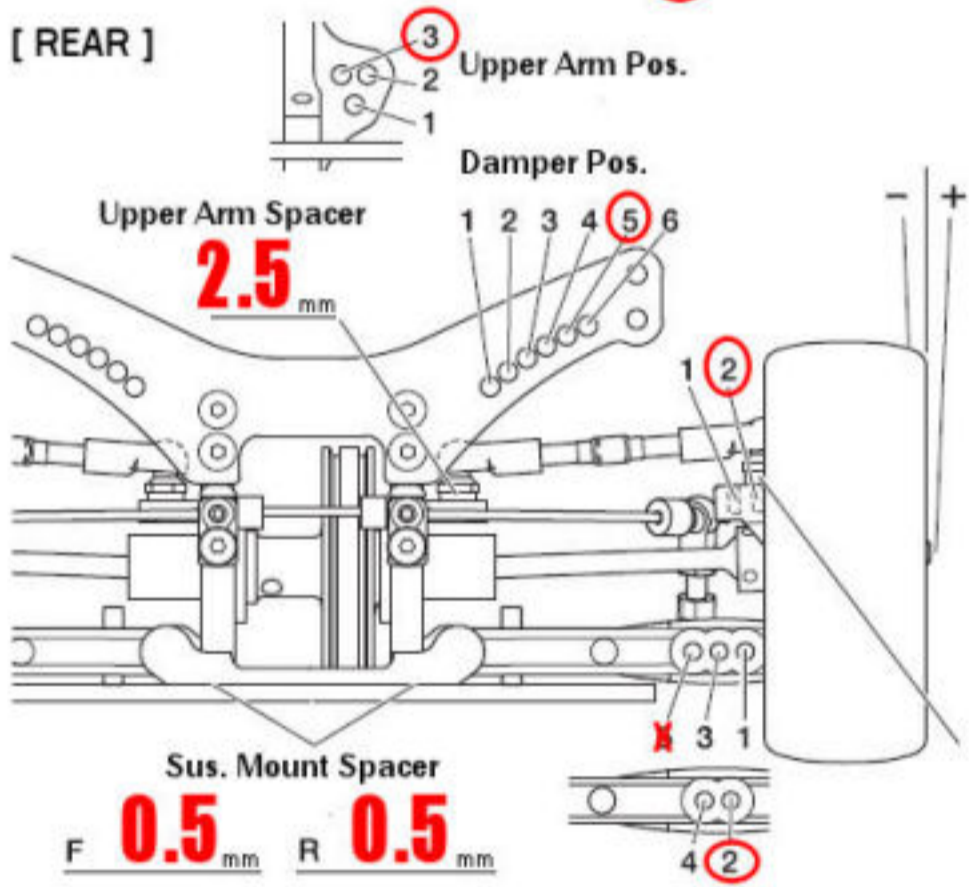


Caster Blocks	2' <b>4'</b>
Camber	<b>-1.5</b> °
Ride Height	<b>5</b> mm
Droop	<b>#5</b> mm
Front Axle	One-way Diff <b>Spool</b>
Roll bar	None S <b>M</b> H
Wheel Spacer	<b>1</b> mm
Notes	<b>Short LWT Arms</b> <b>Droop measured on a gauge</b>

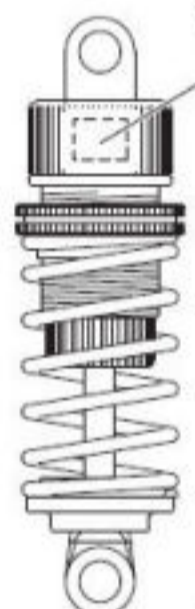


Shock Bushing	<b>1x White 0-ring</b> Piece(s)
Piston	<b>3</b> Holes
Oil	<b>50</b> Weight
Spring	<b>White</b>
Shock Length	<b>62.0</b> mm
Wheel Hex	<b>4</b> mm
Rebound	<b>25</b> %

[ REAR ]

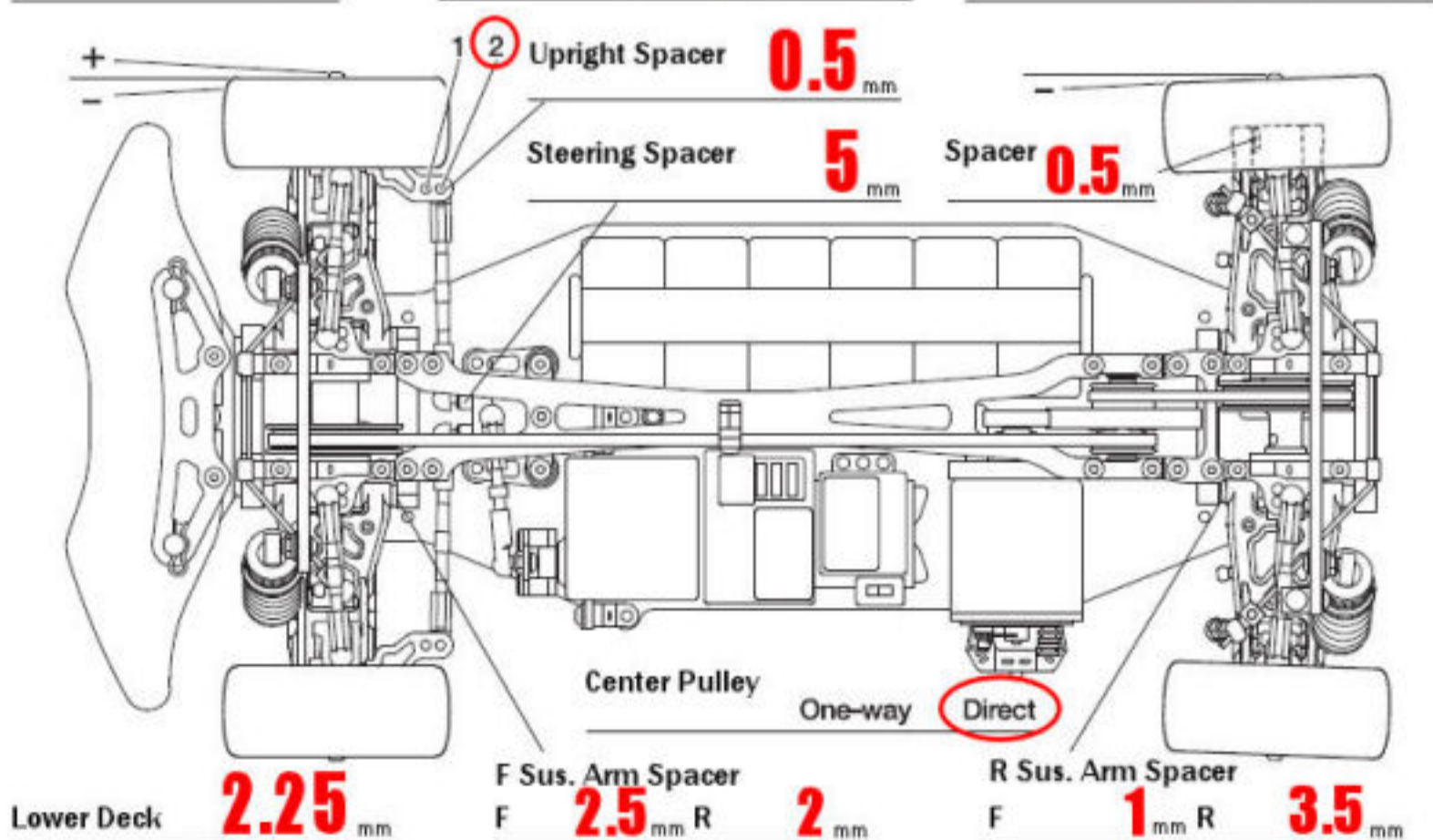


Rear Hub	<b>0</b> °
Camber	<b>-1.5</b> °
Ride Height	<b>5.5</b> mm
Droop	<b>#4</b> mm
Roll bar	None <b>S</b> M H
Wheel Spacer	<b>1</b> mm
Upper Arm Spacer	<b>3</b> mm



Shock Bushing	<b>1x White 0-Ring</b> Piece(s)
Piston	<b>3</b> Holes
Oil	<b>45</b> Weight
Spring	<b>Blue</b>
Shock Length	<b>62.0</b> mm
Wheel Hex	<b>4</b> mm
Rebound	<b>25</b> %

Toe Angle **0** ° F Sus. Mount F **D** R **D** R Sus. Mount F **XA** R **E**



Motor **Orion 10.5t**  
Spur **104** Pinion **38**  
Battery **Orion Carbon 3600**  
Body **Mazda6**  
Wing **Std**  
Tire **Vtec 27r p/g**  
Wheel \_\_\_\_\_  
Insert \_\_\_\_\_  
Best Lap \_\_\_\_\_