

TRF416

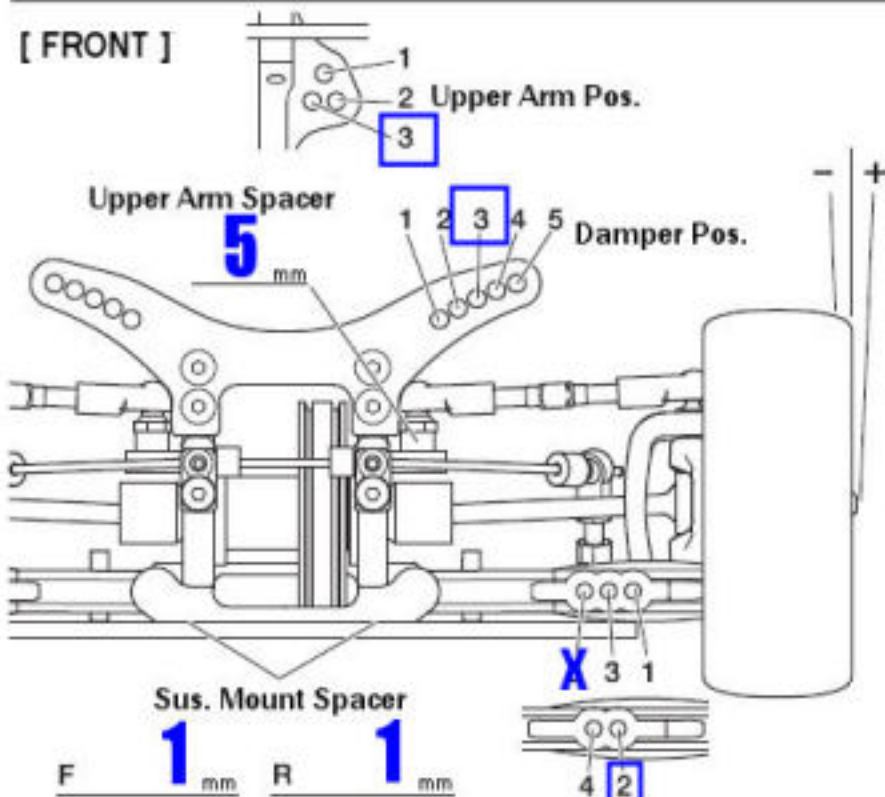
TAMIYA RACING FACTORY

CHASSIS KIT
1/10 SCALE R/C 4WD RACING CAR
TRF416 CHASSIS KIT

SETTING SHEET

Name **Ed Clark** Date **09/03/08** Air Temp. _____ Humidity _____
Track **Carpet Wars Rd6** Track Condition _____ Track Temp _____

[FRONT]



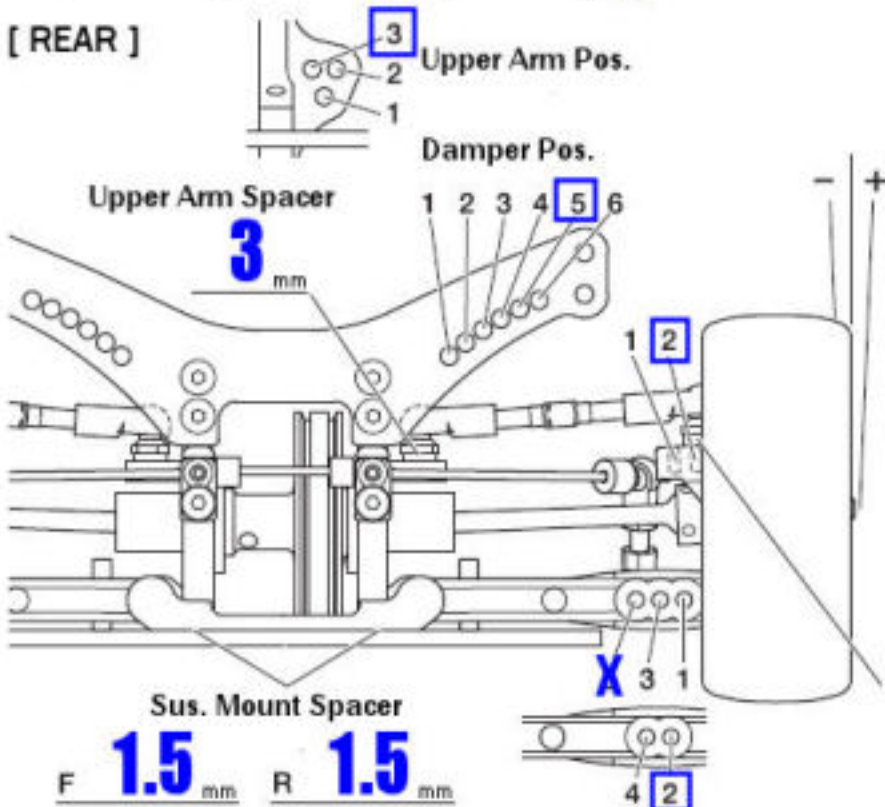
Caster Blocks	2' 4'
Camber	1.5 °
Ride Height	5 mm
Drop	#5 mm
Front Axle	One-way Diff Spool
Roll bar	None S M H
Wheel Spacer	0 mm



Shock Bushing	0 Piece(s)
Piston	3 Holes
Oil	MM 450 Weight
Spring	Tam White
Shock Length	61.5 mm
Wheel Hex	5 mm
Rebound	3mm %

Notes **Short LWT arms**

[REAR]

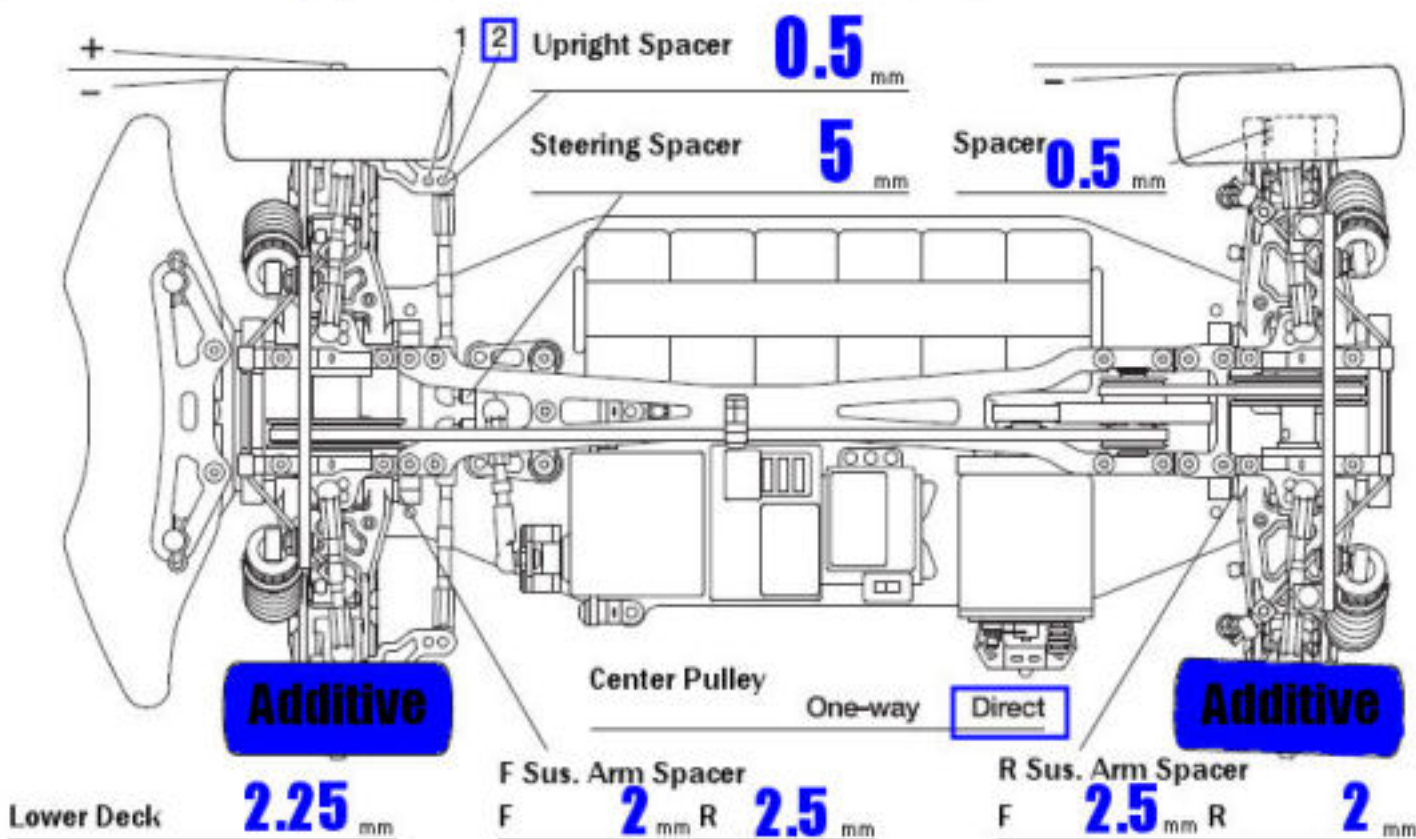


Rear Hub	0 °
Camber	1.5 °
Ride Height	5.5 mm
Drop	#4 mm
Roll bar	None S M H
Wheel Spacer	0 mm
Upper Arm Spacer	2 mm



Shock Bushing	0 Piece(s)
Piston	3 Holes
Oil	MM 450 Weight
Spring	Tam Blue
Shock Length	61.5 mm
Wheel Hex	5 mm
Rebound	3mm %

Toe Angle **0°** F Sus. Mount F **D** R **C** R Sus. Mount F **C** R **E**



Motor **Vega C027**
Spur **105** T Pinion **31** T
Battery **IB4600**
Body **Mazda 6**
Wing **Std**
Tire **VTec 27R**
Wheel _____
Insert _____
Best Lap _____