

TRF416

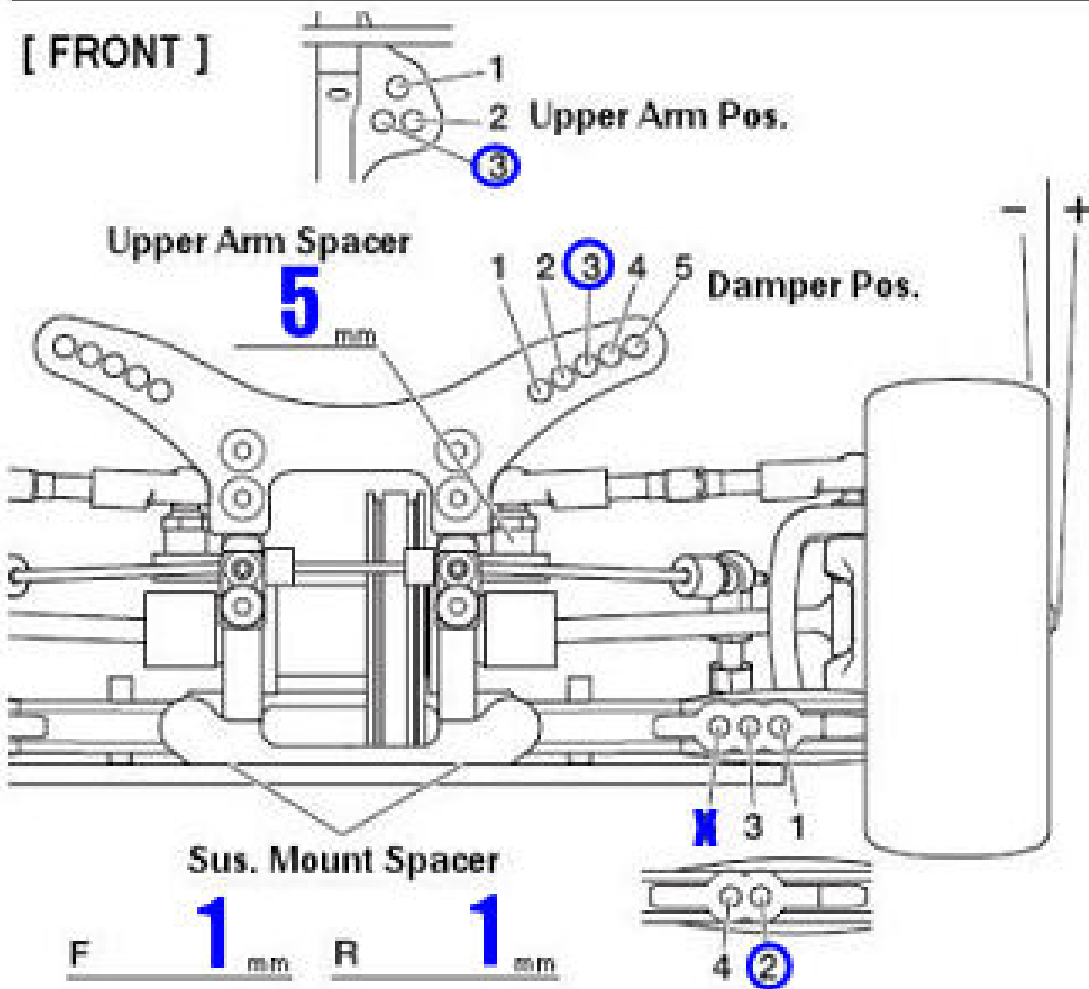
TAMIYA RACING FACTORY

CHASSIS KIT
1/10 SCALE R/C 4WD RACING CAR
TRF416 CHASSIS KIT

SETTING SHEET

Name **Ed Clark** Date **17/02/08** Air Temp. _____ Humidity _____
Track **Carpet Wars Rd5** Track Condition **Med - High** Track Temp _____

[FRONT]



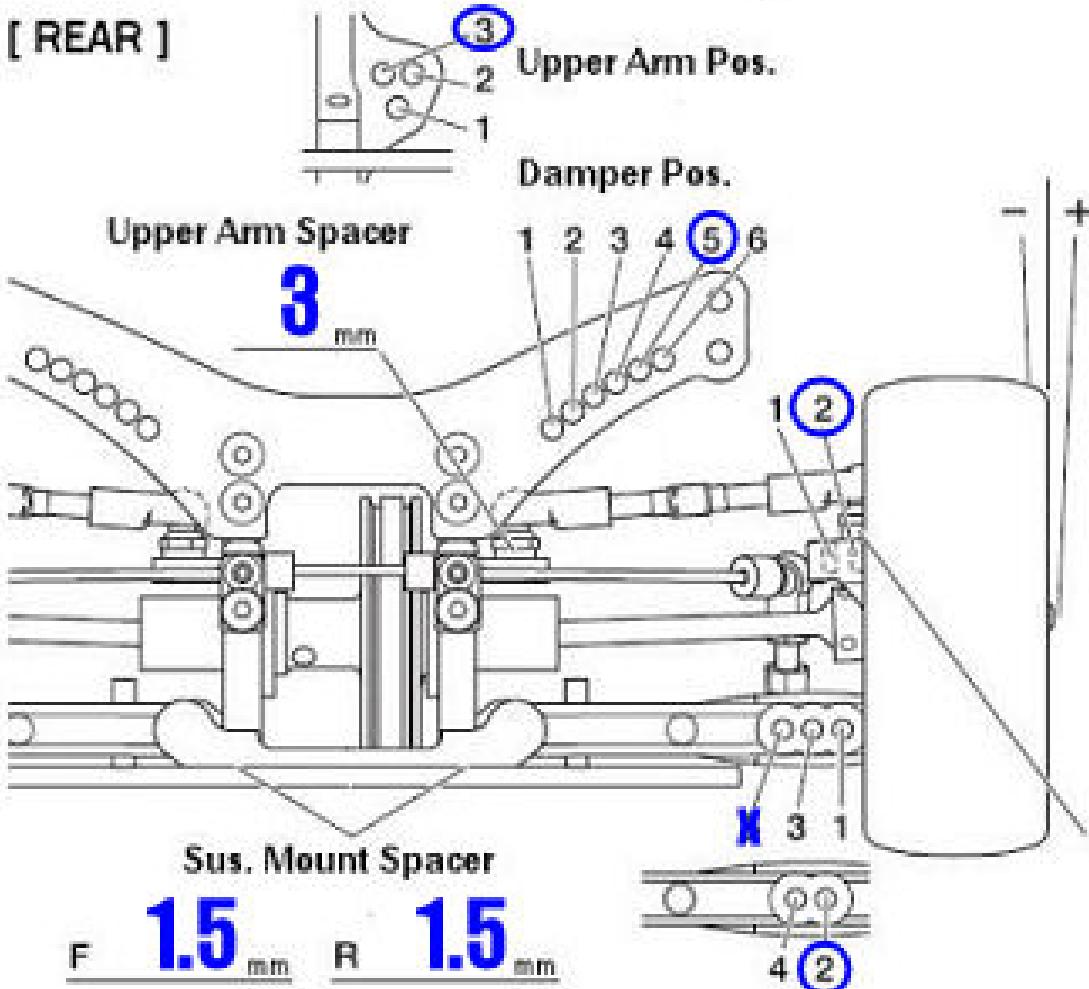
Caster Blocks	2' 4'
Camber	1.5 °
Ride Height	5 mm
Droop	#5 mm
Front Axle	<u>One-way</u> Diff Spool
Roll bar	None S M H
Wheel Spacer	1 mm



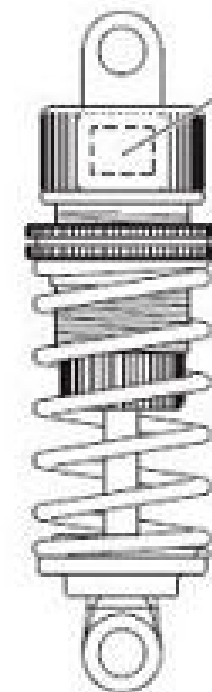
Shock Bushing	0 Piece(s)
Piston	3 Holes
Oil	MM500 weight
Spring	Tam White
Shock Length	62.0 mm
Wheel Hex	4 mm
Rebound	25 %

Notes **Short LWT arms used**
Droop measured under outer hinge pin, on gauge

[REAR]

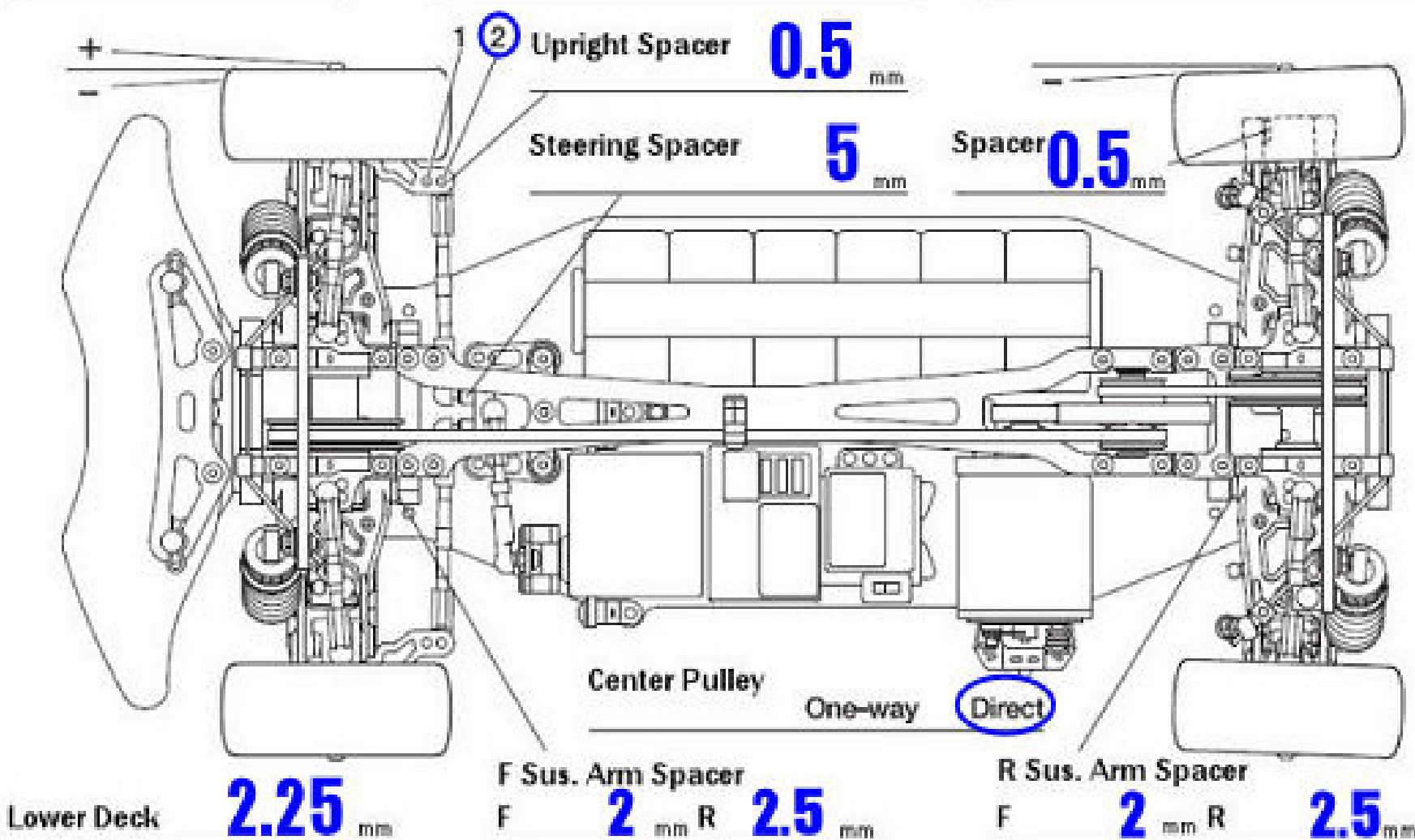


Rear Hub	0 °
Camber	1.5 °
Ride Height	5.5 mm
Droop	#4 mm
Roll bar	None S M H
Wheel Spacer	1 mm
Upper Arm Spacer	3 mm



Shock Bushing	0 Piece(s)
Piston	3 Holes
Oil	MM450 weight
Spring	Tam Blue
Shock Length	62.0 mm
Wheel Hex	4 mm
Rebound	25 %

Toe Angle **0** ° F Sus. Mount F **D** R **D** R Sus. Mount F **B** R **E**



Motor **Vega C027**
Spur Pinion **105_T 32_T**
Battery **EP4200**
Body **Mazda 6**
Wing **Std**
Tire **Vtec 27R**
Wheel _____
Insert _____
Best Lap **14.95**