

TRF416

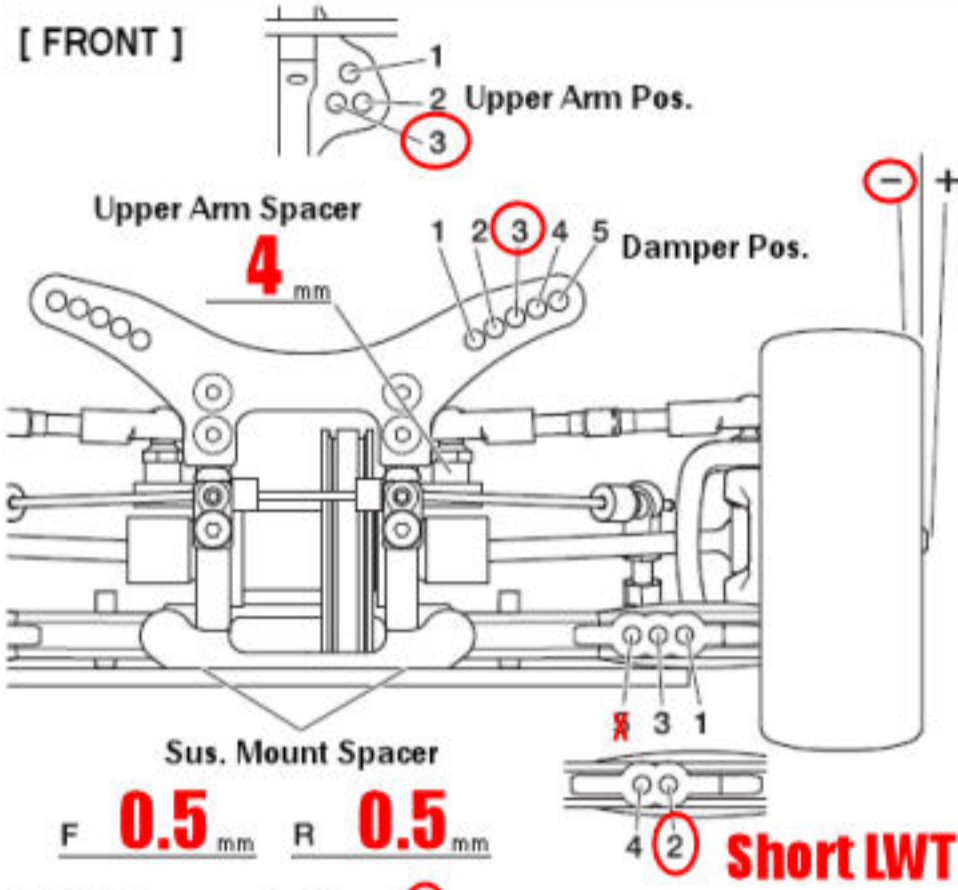
TAMIYA RACING FACTORY

CHASSIS KIT
1/10 SCALE R/C 4WD RACING CAR
TRF416 CHASSIS KIT

SETTING SHEET

Name **Ed Clark** Date **13/01/08** Air Temp. _____ Humidity _____
Track **Carpet Wars Rd4** Track Condition **High Grip** Track Temp _____

[FRONT]



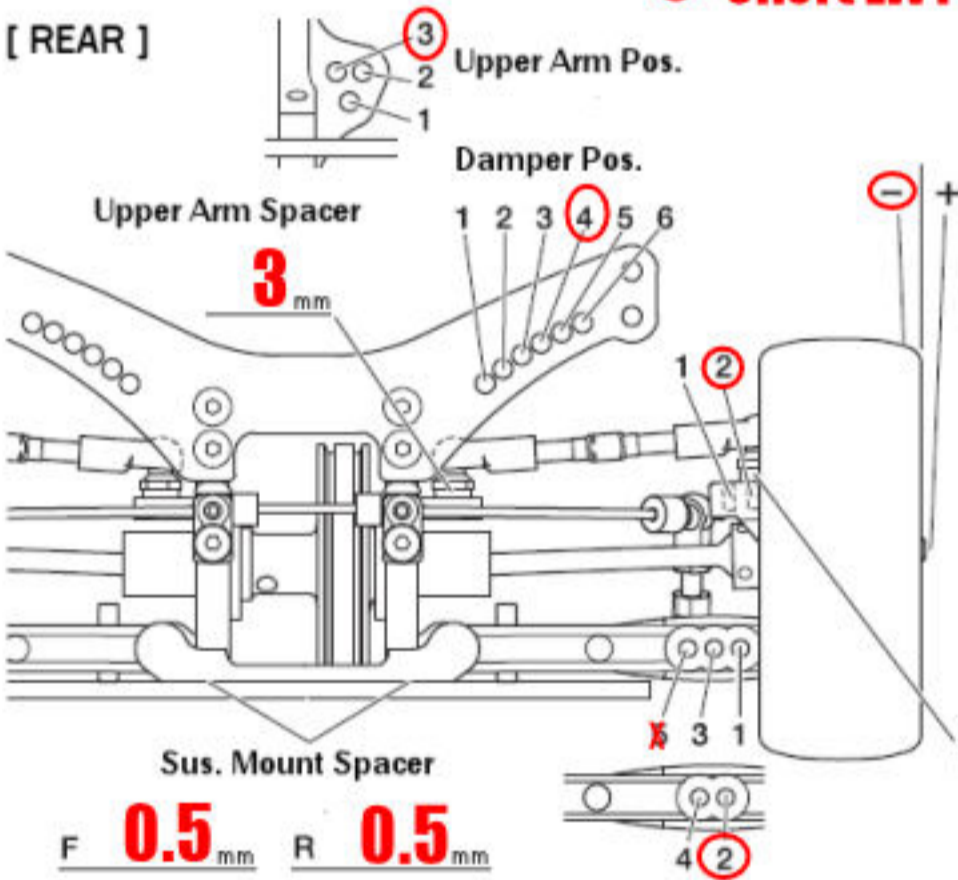
Caster Blocks	2' 4
Camber	1.5 °
Ride Height	5 mm
Drop	#5 mm
Front Axle	One-way Diff Spool
Roll bar	None S M H
Wheel Spacer	1 mm



Shock Bushing	0 Piece(s)
Piston	3 Holes
Oil	45 Weight
Spring	Tam White
Shock Length	62.5 mm
Wheel Hex	4 mm

Notes

[REAR]



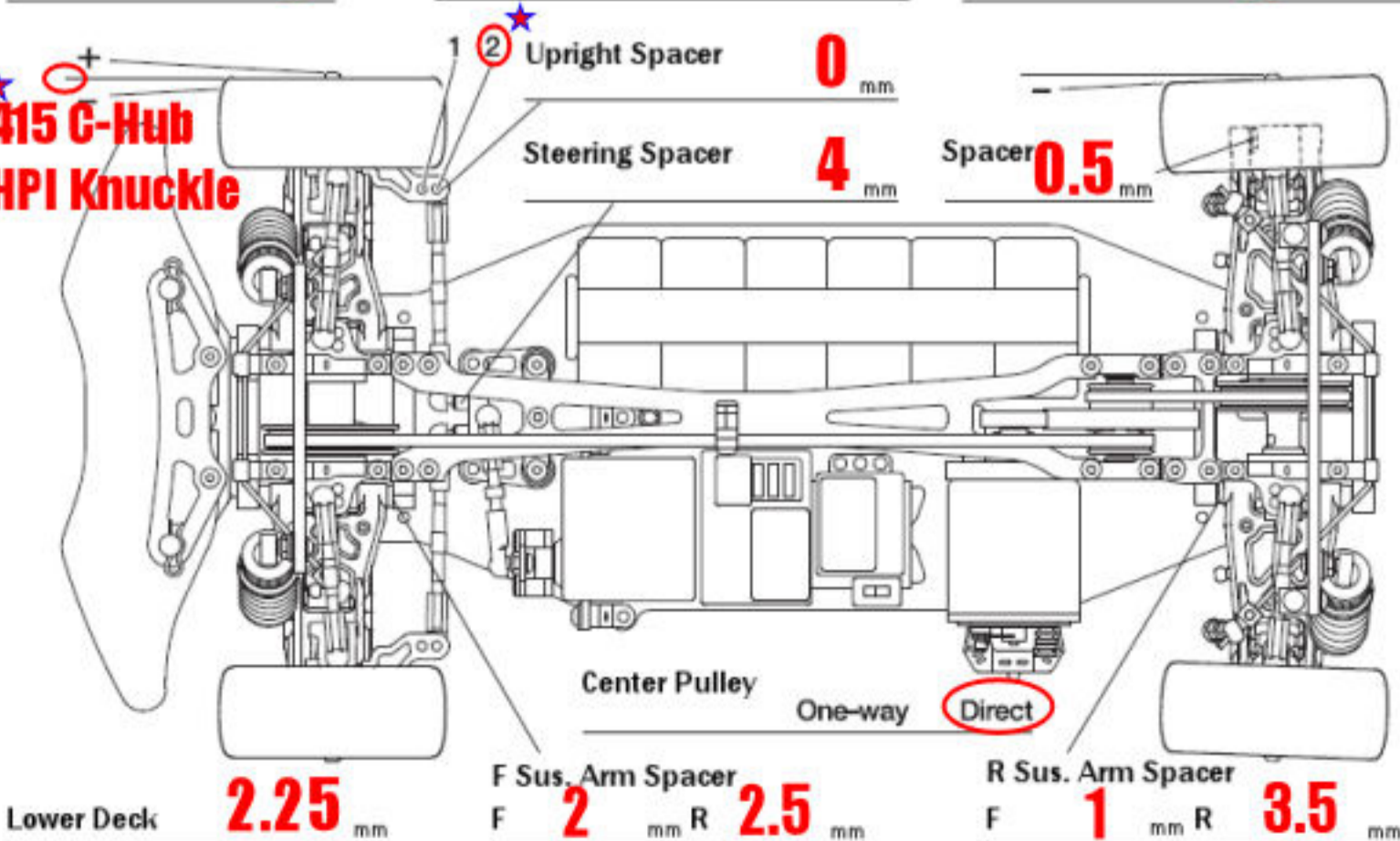
Rear Hub	0 °
Camber	1.5 °
Ride Height	5.5 mm
Drop	#4 mm
Roll bar	None S M H
Wheel Spacer	0.5 mm



Shock Bushing	0 Piece(s)
Piston	3 Holes
Oil	40 Weight
Spring	Tam Blue
Shock Length	62.5 mm
Wheel Hex	4 mm

Notes

Toe Angle **0** ° F Sus. Mount F **D** R **D** R Sus. Mount F **A** R **E**



Motor	G027
Spur	106 T
Pinion	32 T
Battery	IB4200
Body	Mazda 6
Wing	Standard
Tire	Vtec 27R P/g
Wheel	
Insert	
Best Lap	