

TRF416

TAMIYA RACING FACTORY

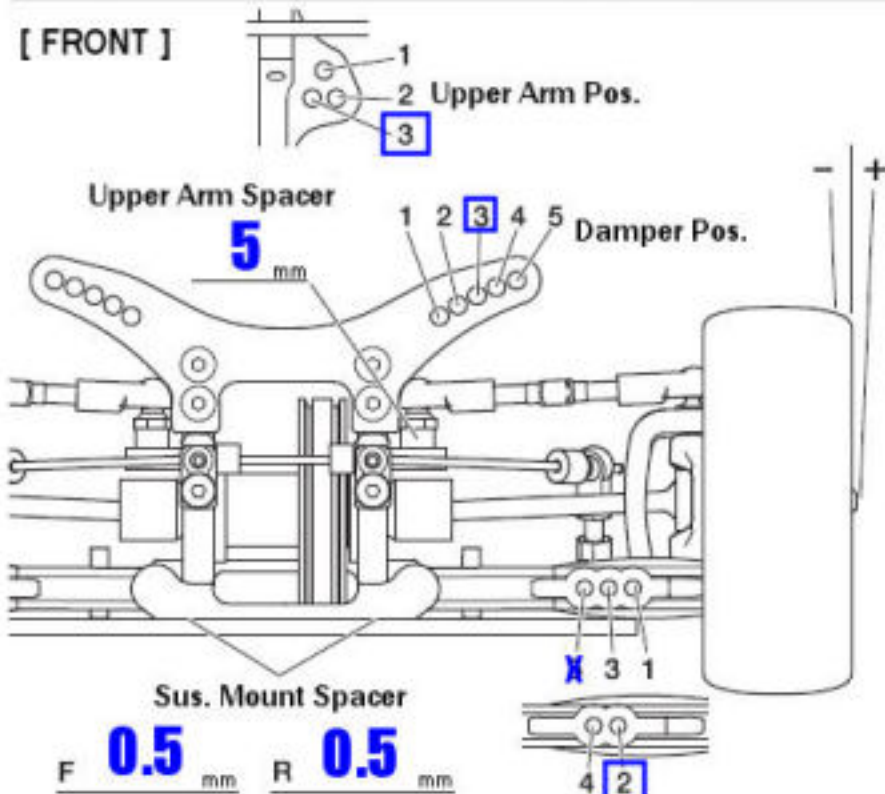
CHASSIS KIT
1/10 SCALE R/C 4WD RACING CAR
TRF416 CHASSIS KIT

SETTING SHEET

Name **Ed Clark** Date **23-24 /02/08** Air Temp. Humidity

Track **Carpet Wars World Cup '08** Track Condition **Grip - med to high** Track Temp

[FRONT]



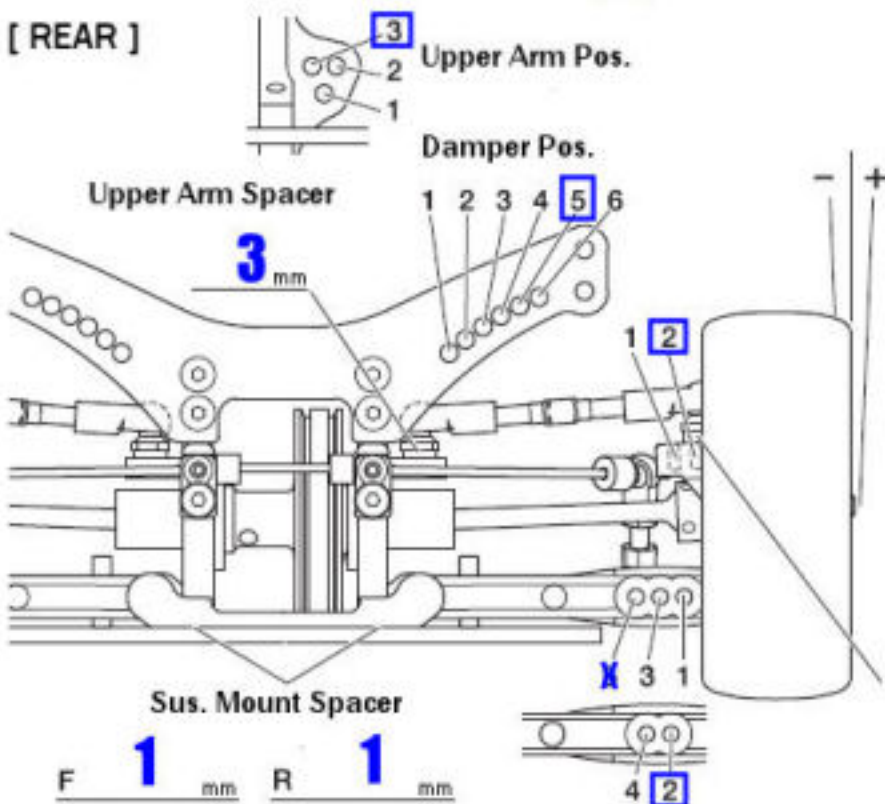
Caster Blocks	2' 4'
Camber	1.5 °
Ride Height	5 mm
Drop	#5 mm
Front Axle	One-way Diff Spool
Roll bar	None S M H
Wheel Spacer	0 mm



Shock Bushing	0 Piece(s)
Piston	3 Holes
Oil	MM 450 Weight
Spring	Tam White
Shock Length	62 mm
Wheel Hex	5 mm
Rebound	25 %

Notes **Short LWT arms, Droop measured under arm on gauge**

[REAR]

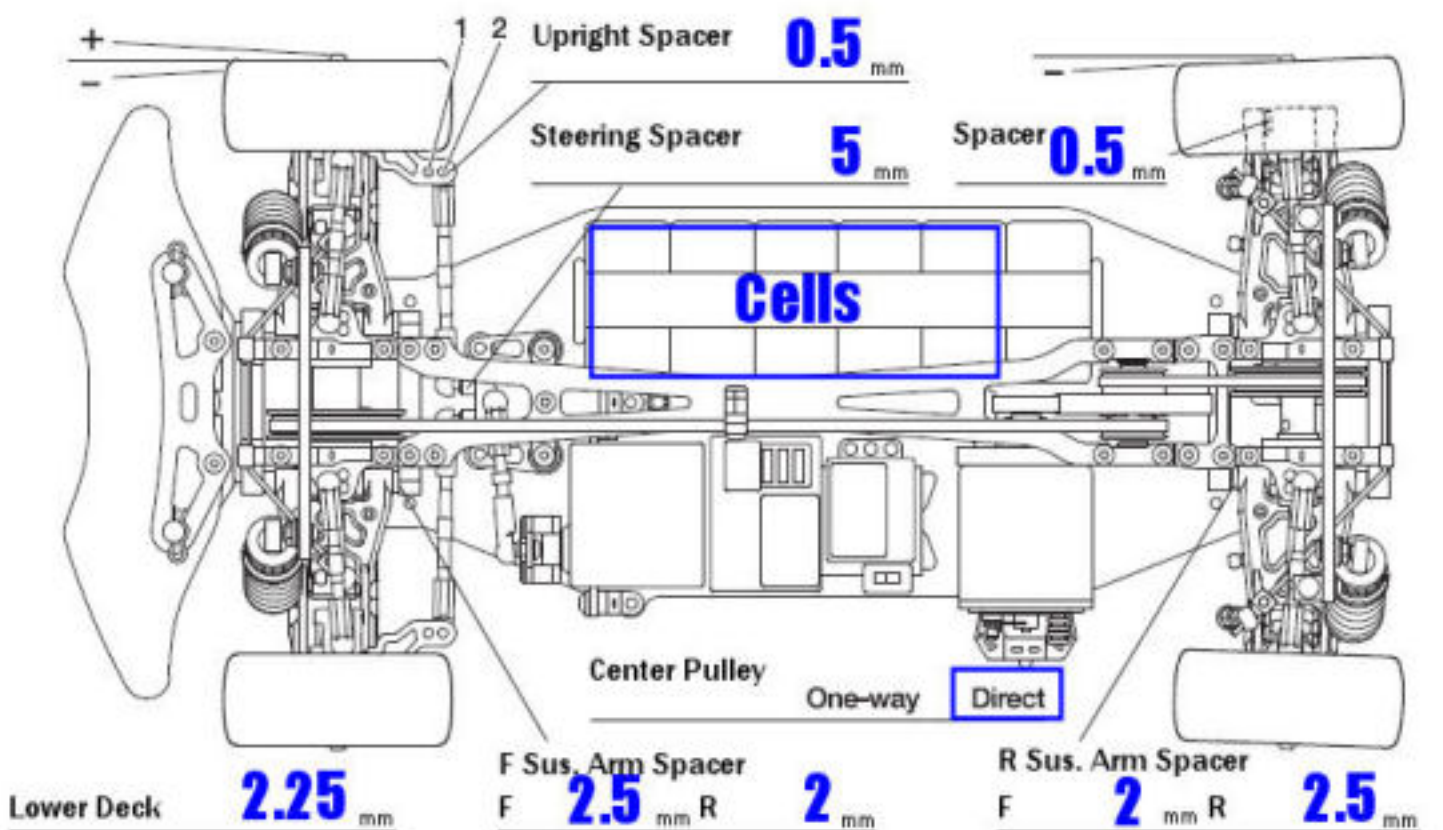


Rear Hub	0 °
Camber	2 °
Ride Height	5.5 mm
Drop	#4 mm
Roll bar	None S M H
Wheel Spacer	0 mm
Upper Arm Spacer	2 mm



Shock Bushing	0 Piece(s)
Piston	3 Holes
Oil	MM 450 Weight
Spring	Tam Blue
Shock Length	62 mm
Wheel Hex	5 mm
Rebound	25 %

Toe Angle **0 °** F Sus. Mount F **D** R **D** R Sus. Mount F **X** R **E**



Motor	Nosram 4.5
Spur	Pinion 105 T 29 T
Battery	IB4200
Body	Mazda 6
Wing	Std
Tire	LRP VTEC30R
Wheel	
Insert	
Best Lap	