

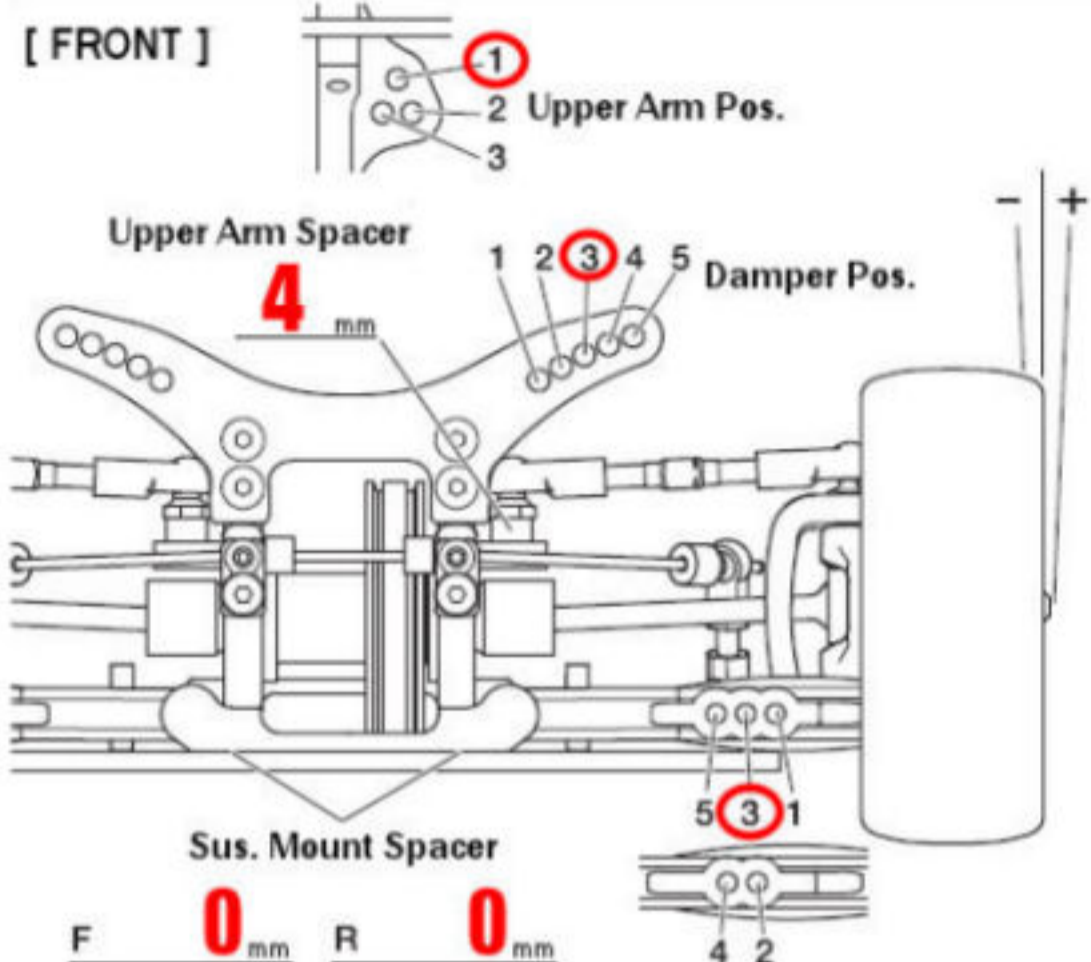
TRF416

TAMIYA RACING FACTORY

CHASSIS KIT
1/10 SCALE R/C 4WD RACING CAR
TRF416 CHASSIS KIT

SETTING SHEET

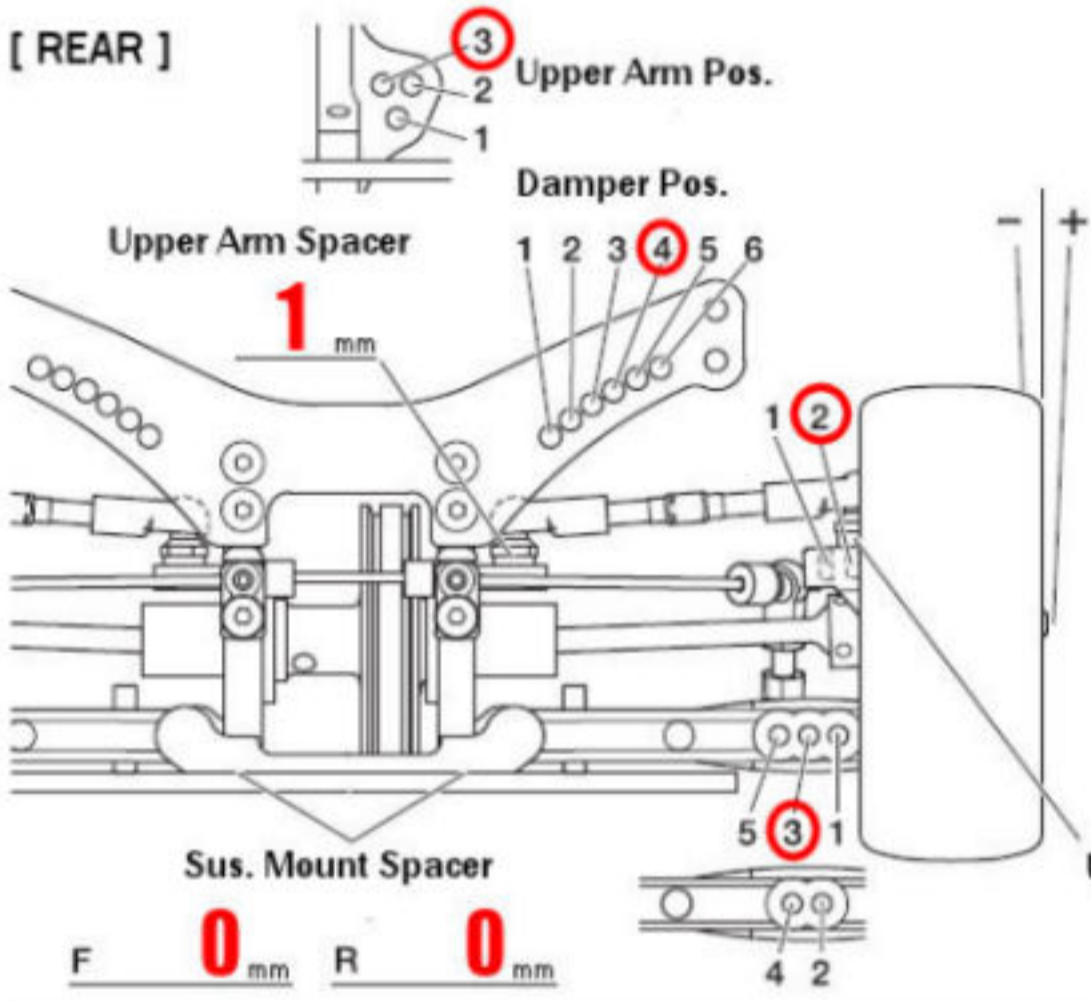
Name **Ed Clark** Date _____ Air Temp. _____ Humidity _____
Track **IoWRCCC - carpet** Track Condition **Low - Med** Track Temp _____



Caster Blocks	2' 4'
Camber	1.5°
Ride Height	5 mm
Droop	#6 mm
Front Axle	One-way Diff Spool
Roll bar	None S M H
Wheel Spacer	1 mm

Shock Bushing	0 Piece(s)
Piston	3 Holes
Oil	45 Weight
Spring	Tam White
Shock Length	62.5 mm
Wheel Hex	4 mm

Notes **Short LWT Arms**

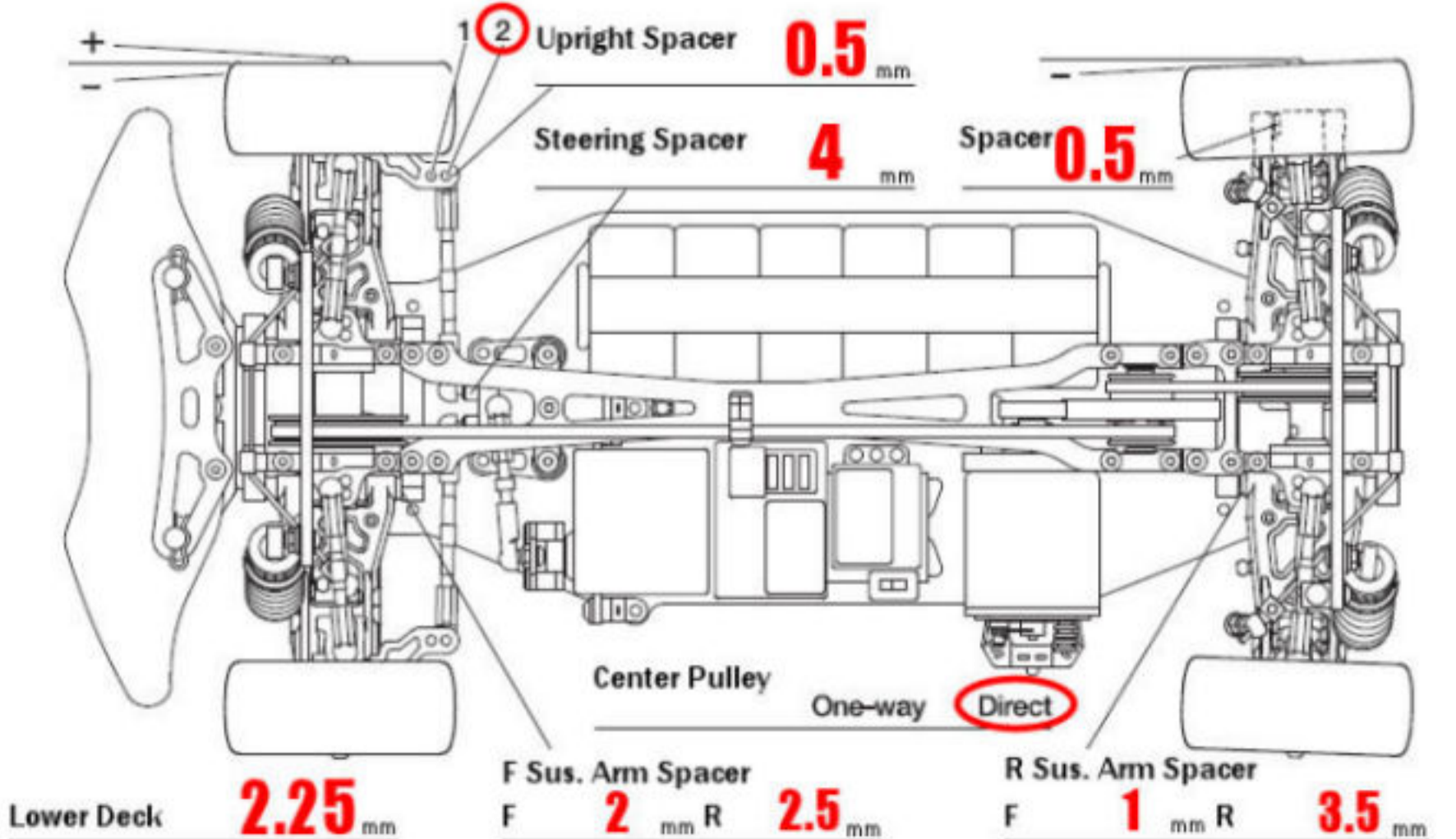


Rear Hub	0°
Camber	1.5°
Ride Height	5.5 mm
Droop	#4 mm
Roll bar	None S M H
Wheel Spacer	0.5 mm

Shock Bushing	0 Piece(s)
Piston	3 Holes
Oil	40 Weight
Spring	Tam Blue
Shock Length	62.5 mm
Wheel Hex	4 mm

Notes **Short LWT Arms**

Toe Angle **0°** F Sus. Mount F **C** R **B** R Sus. Mount F **XB** R **D**



Motor	Orion Vortex 10.5t
Spur	Pinion
	104 T 40 T
Battery	Orion Carbon 3200
Body	Dodge 3.0 AP
Wing	
Tire	Vtec 27R
Wheel	
Insert	
Best Lap	