

# TRF416

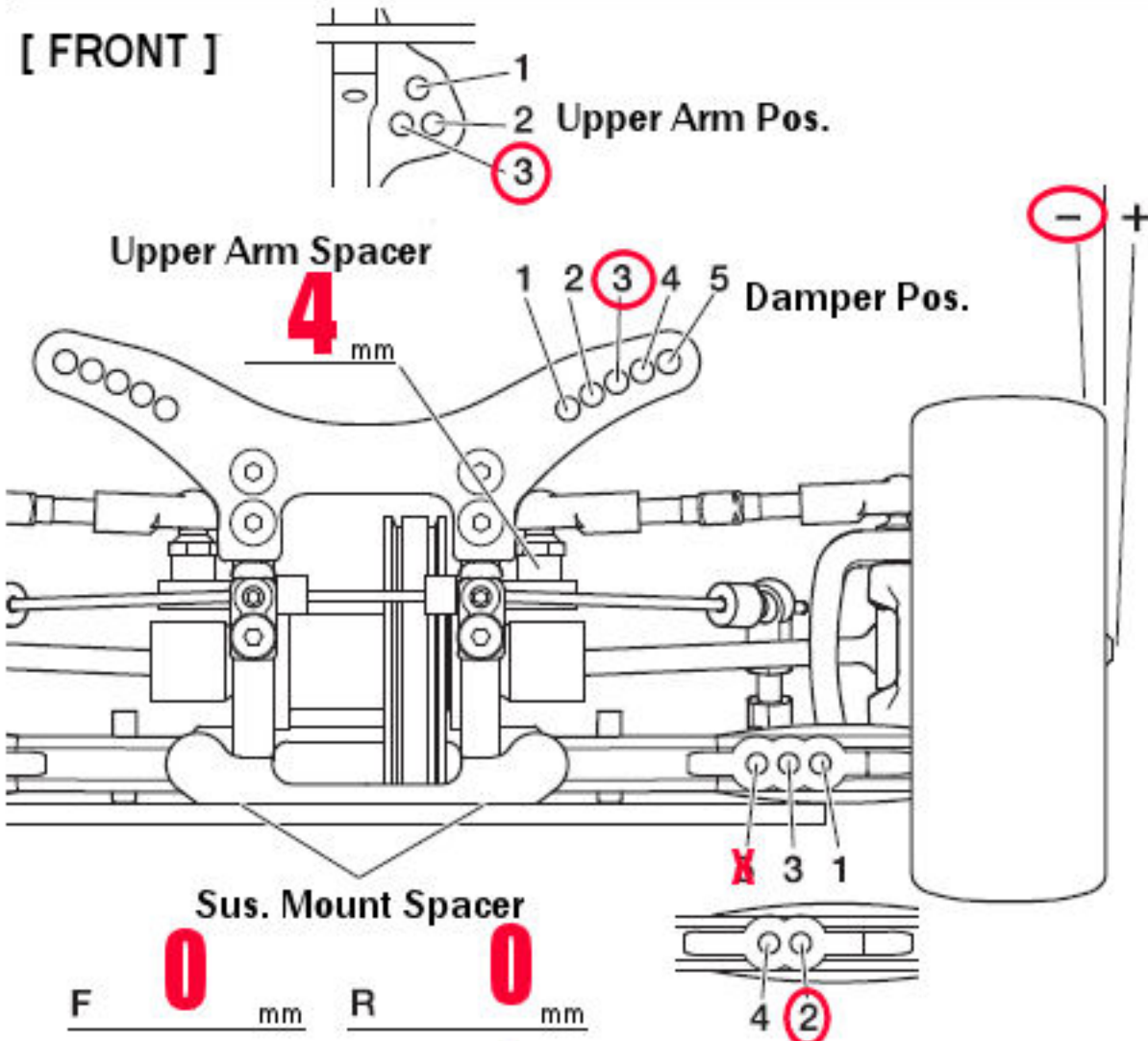
TAMIYA RACING FACTORY

CHASSIS KIT  
1/10 SCALE R/C 4WD RACING CAR  
TRF416 CHASSIS KIT

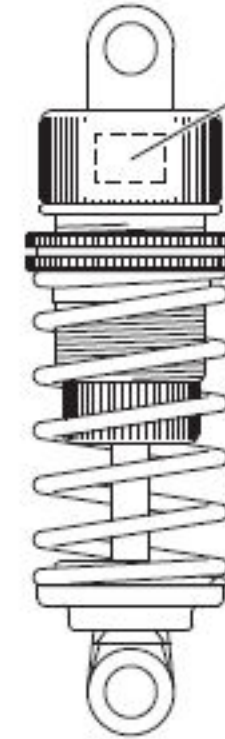
## SETTING SHEET

Name **Viktor Wilck** Date **Feb** Air Temp. **25-30°C** Humidity **High**  
Track **TITC 2008** Track Condition **High - Sugar Water** Track Temp **50°C**

[ FRONT ]



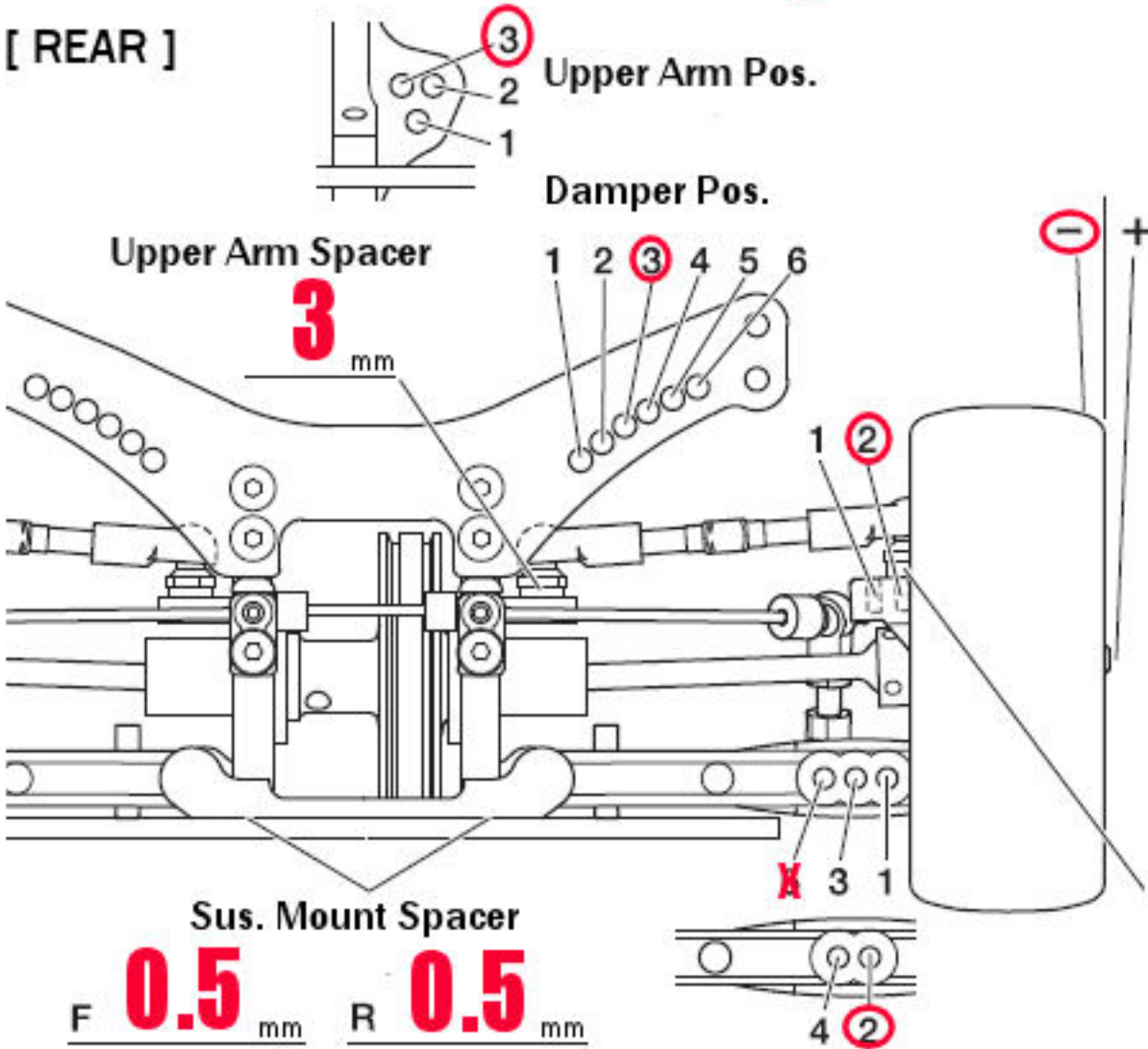
Caster Blocks  $2^\circ$  **4^\circ**  
Camber **1.5** °  
Ride Height **5.0** mm  
Drop **5.0** mm  
Front Axle One-way Diff **Spool**  
Roll bar None S **M** H  
Wheel Spacer **1.0** mm



Shock Bushing **1** Piece(s)  
Piston **3** Holes  
Oil **Losi 60wt** Weight  
Spring **Tam White**  
Shock Length \_\_\_\_\_ mm  
Wheel Hex \_\_\_\_\_ mm  
Rebound **4mm** %

Notes **2pcs Muchmore o-ring "AH-30" in bottom of shocks**

[ REAR ]

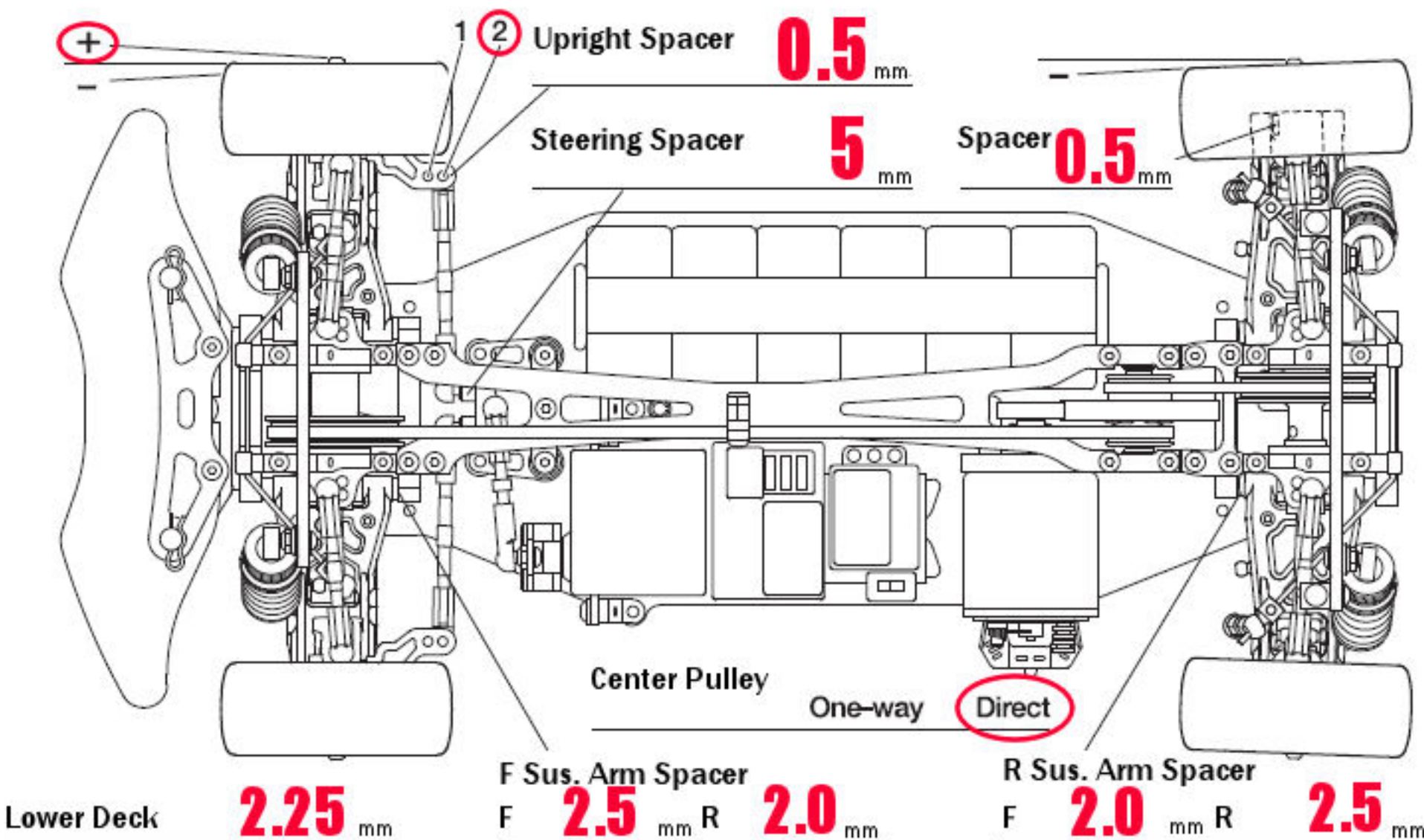


Rear Hub **0** °  
Camber **2.0** °  
Ride Height **5.5** mm  
Drop \_\_\_\_\_ mm  
Roll bar None S **M** H  
Wheel Spacer **0.5** mm  
Upper Arm Spacer **3** mm



Shock Bushing **1** Piece(s)  
Piston **3** Holes  
Oil **Losi 50wt** Weight  
Spring **Tam Blue**  
Shock Length \_\_\_\_\_ mm  
Wheel Hex \_\_\_\_\_ mm  
Rebound **2mm** %

Toe Angle **0.5** ° F Sus. Mount F **C** R **C** R Sus. Mount F **XA** R **E**



Motor **Orion 3.5t**  
Spur **105** Pinion **24/25**  
Battery **Orion SHO**  
Body **Mazda 6 LWT**  
Wing **Standard**  
Tire **MM Sweep 40R**  
Wheel \_\_\_\_\_  
Insert \_\_\_\_\_  
Best Lap \_\_\_\_\_