

TRF416

TAMIYA RACING FACTORY

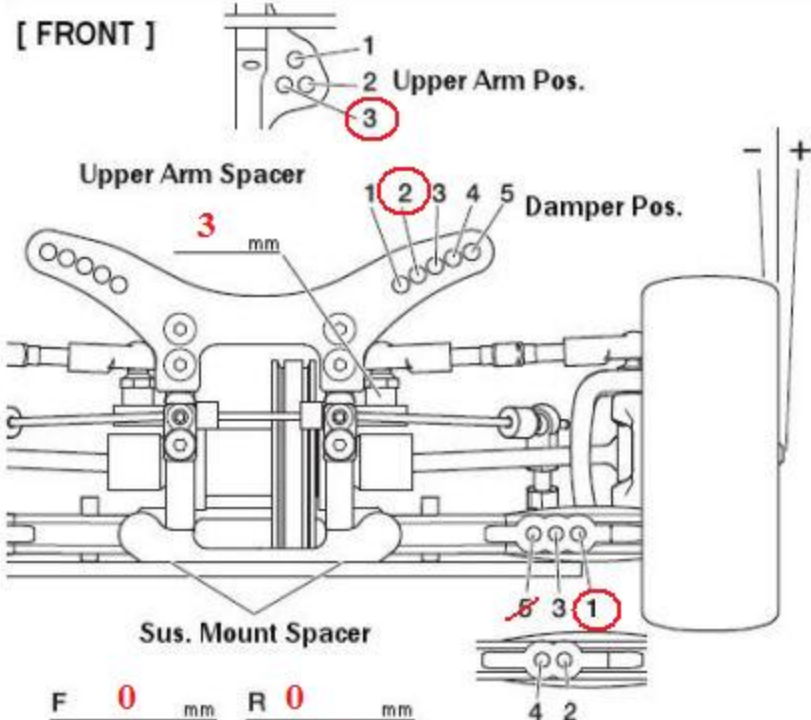
CHASSIS KIT

1/10 SCALE R/C 4WD RACING CAR
TRF416 CHASSIS KIT

SETTING SHEET

Name **COREY WHITEMAN** Date _____ Air Temp. _____ Humidity _____

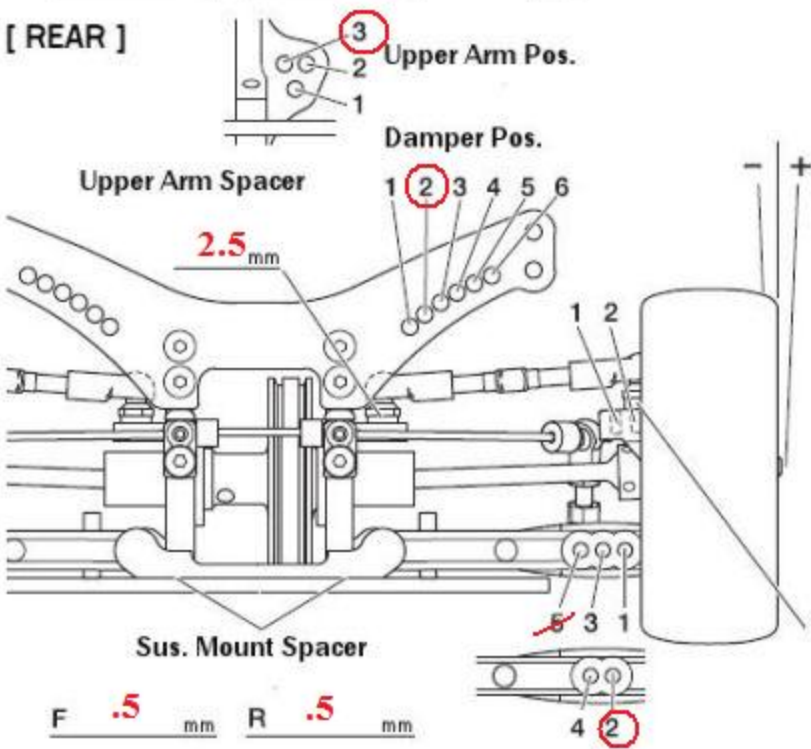
Track **REEDY RACE '08** Track Condition **MEDIUM** Track Temp _____



Castor Blocks	2' 4'
Camber	1.5 °
Ride Height	5 mm
Droop	2 mm
Front Axle	One-way Diff Spool
Roll bar	None S M H
Wheel Spacer	.5 mm
Notes	SHORT ARMS



Shock Bushing	0	Piece(s)
Piston	3	Holes
Oil	50AE	Weight
Spring	TAM BLUE	
Shock Length		mm
Wheel Hex	4	mm
Rebound	75	%

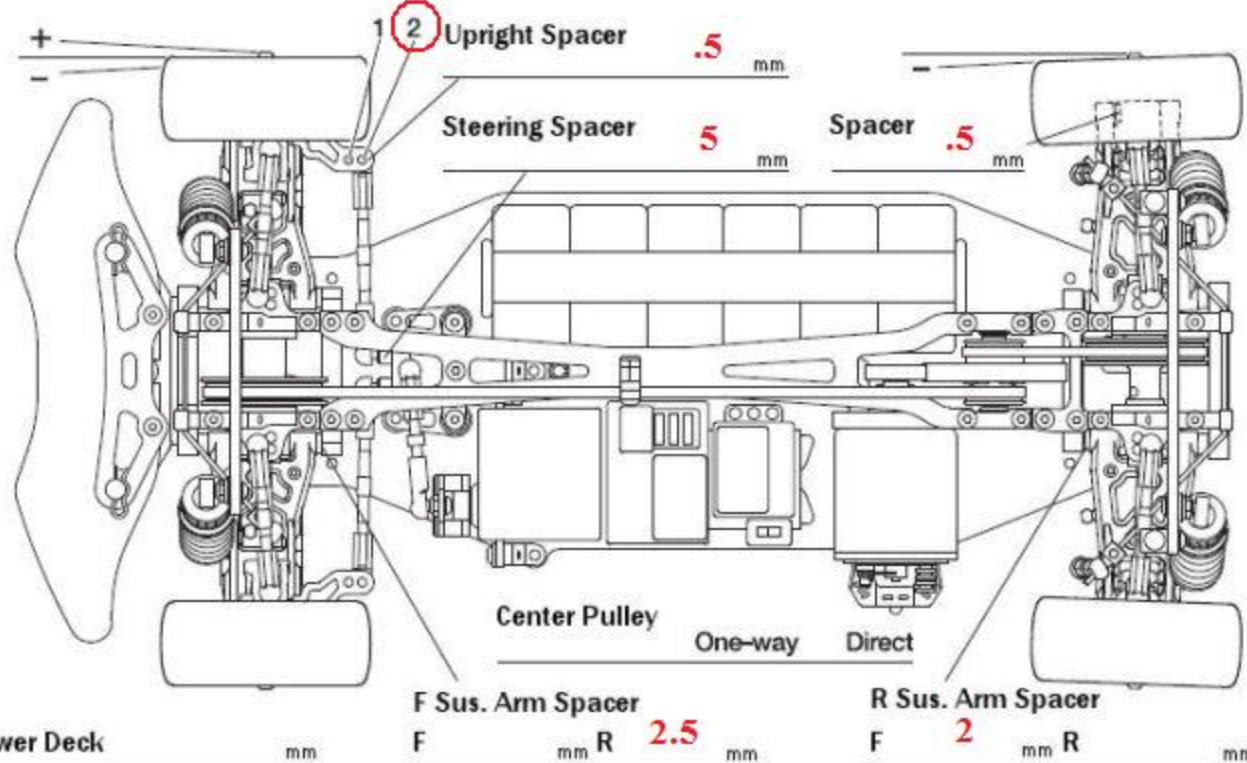


Rear Hub	0
Camber	1.5 °
Ride Height	5.5 mm
Droop	2.5 mm
Roll bar	None S M H
Wheel Spacer	.5 mm
Upper Arm Spacer	3 mm



Shock Bushing	0	Piece(s)
Piston	3	Holes
Oil	40AE	Weight
Spring	TAM YELLOW	
Shock Length		mm
Wheel Hex	4	mm
Rebound	75	%

Toe Angle **+0.5** ° F Sus. Mount F C R C R Sus. Mount F **XA** R **E**



Motor	LRP3.5
Spur	Pinion
106	24
Battery	REEDY 4600
Body	MAZDA SPEED6
Wing	
Tire	
Wheel	
Insert	
Best Lap	