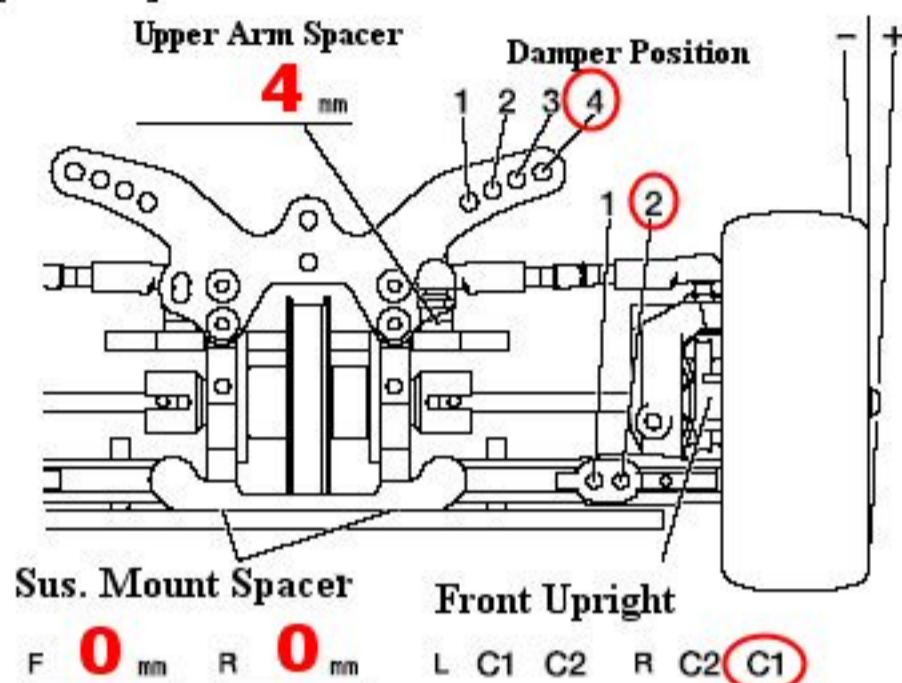


TRF415

SETTING SHEET [Standard Arms]

Name **Ed Clark** Date **24-6-05** Air Temp. _____ Humidity _____
 Track **WKRCC Indoor** Track Cond. **Wood, V.Slippy** Track Temp. _____

[Front]



Camber **1.5 °**

Ride Height **5 mm**

Droop **#4 mm**

Front Drive Spool Diff **One-way**

Roll Bar **None** S M H

Notes _____



Shock Length **62.0 mm**

Piston **3 holes**

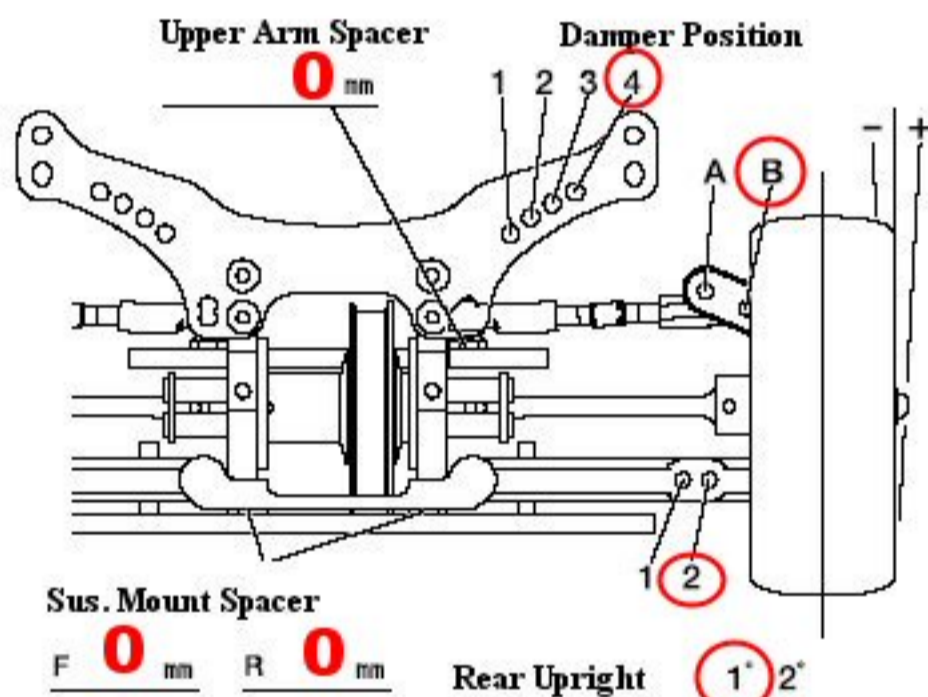
Oil **50 wt.**

Spring **Yellow**

Wheel Hex **6 mm**

Wheel Spacer **0 mm**

[Rear]



Camber **1.5 °**

Ride Height **5.5 mm**

Droop **#5 mm**

Roll Bar **None** S M H

Centre Drive Locked **One-way**

Notes _____



Shock Length **62.0 mm**

Piston **3 holes**

Oil **50 wt.**

Spring **Blue**

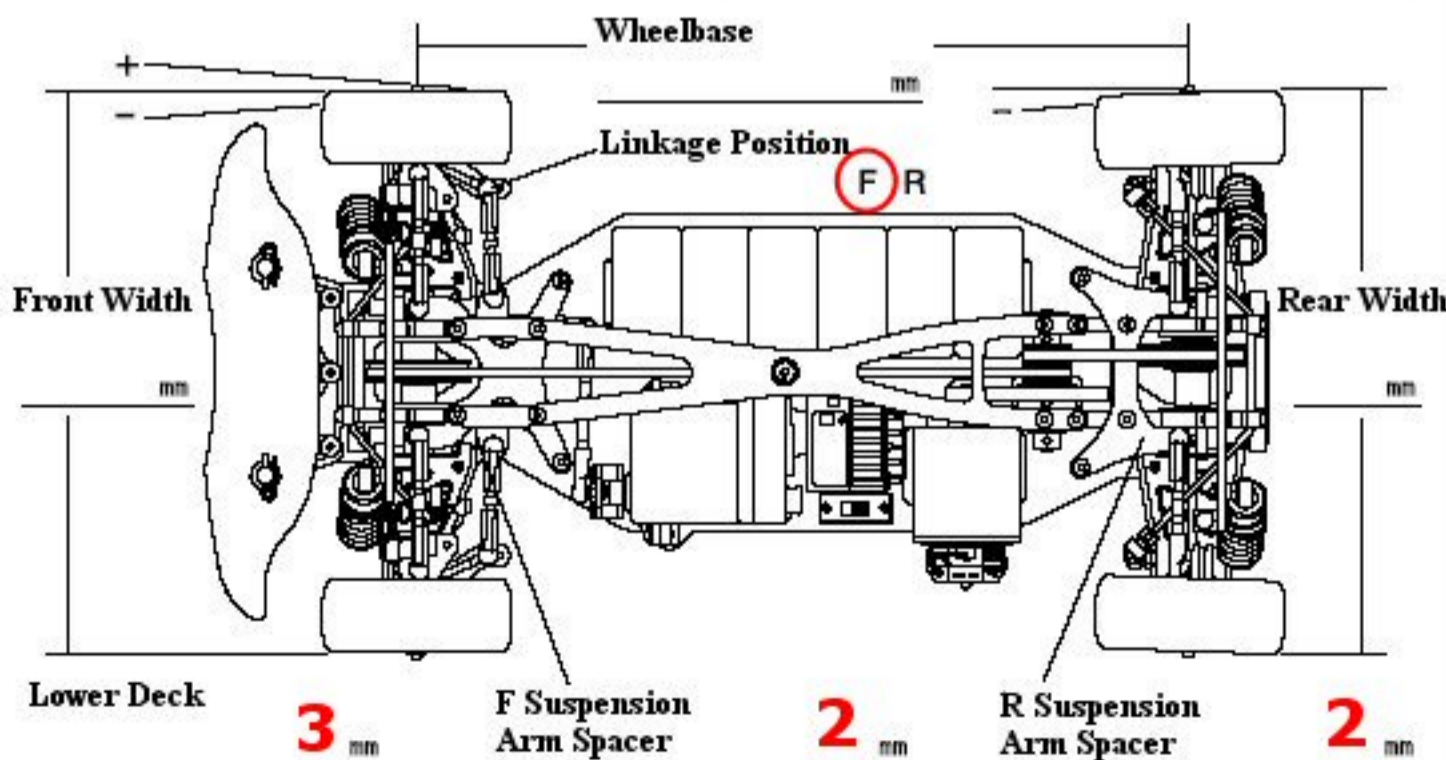
Wheel Hex **6 mm**

Wheel Spacer **0 mm**

Toe Angle (Front) **0 °**

F Sus. Mount Front X A B **C** D Rear **A** D

R Sus. Mount Front X A **B** C D Rear X A B C **D**



Notes **No chassis posts. Maybe a little stiff, but fast.**

Motor **EA Monster**

Spur Gear **101 T** Pinion Gear **27 T**

Battery **PMR GP33's**

Body **P'form CTS-V**

Wing **Std**

Tire **21mm yellow mini-pins**

Wheel **Schu 21mm**

Tire Insert **Schu blue 21mm**

Best Lap _____