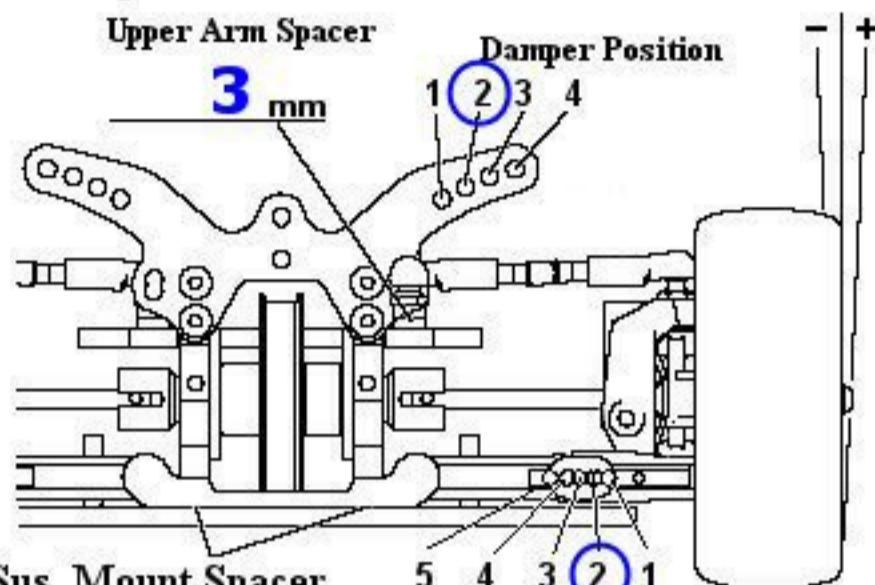


TRF415

SETTING SHEET [Lightweight suspension]

Name **Ed Clark** Date **20-6-05** Air Temp. **27-28** Humidity
 Track **Ashby TORC Rd6** Track Cond. **Dusty, but decent grip** Track Temp.

[Front]



Sus. Mount Spacer
 F **1** mm R **0** mm

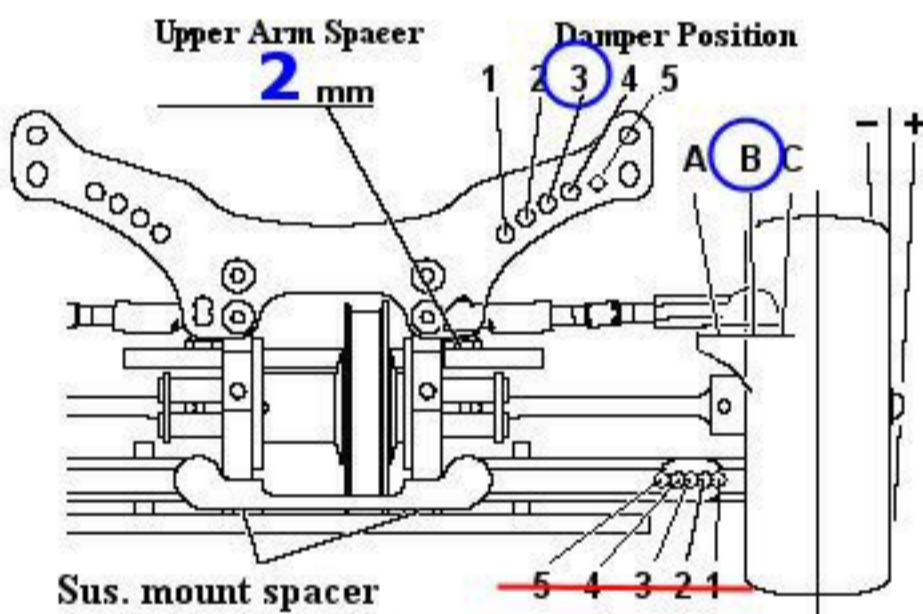
Camber **1.5** °
 Ride Height **5.5** mm
 Droop **#5** mm
 Front Drive **Spool** Diff One-way
 Roll Bar None **S** M H
 Castor Block 2° **4**°



Shock Length **62.0** mm
 Piston **3** holes
 Oil **50** wt.
 Spring **Yellow**
 Wheel Hex **6** mm
 Wheel Spacer **0** mm

Notes
MS Shock Towers (F & R)

[Rear]



Sus. mount spacer
 F **0** mm R **0** mm

Centre Drive **Locked** One-way

Tamiya Spool

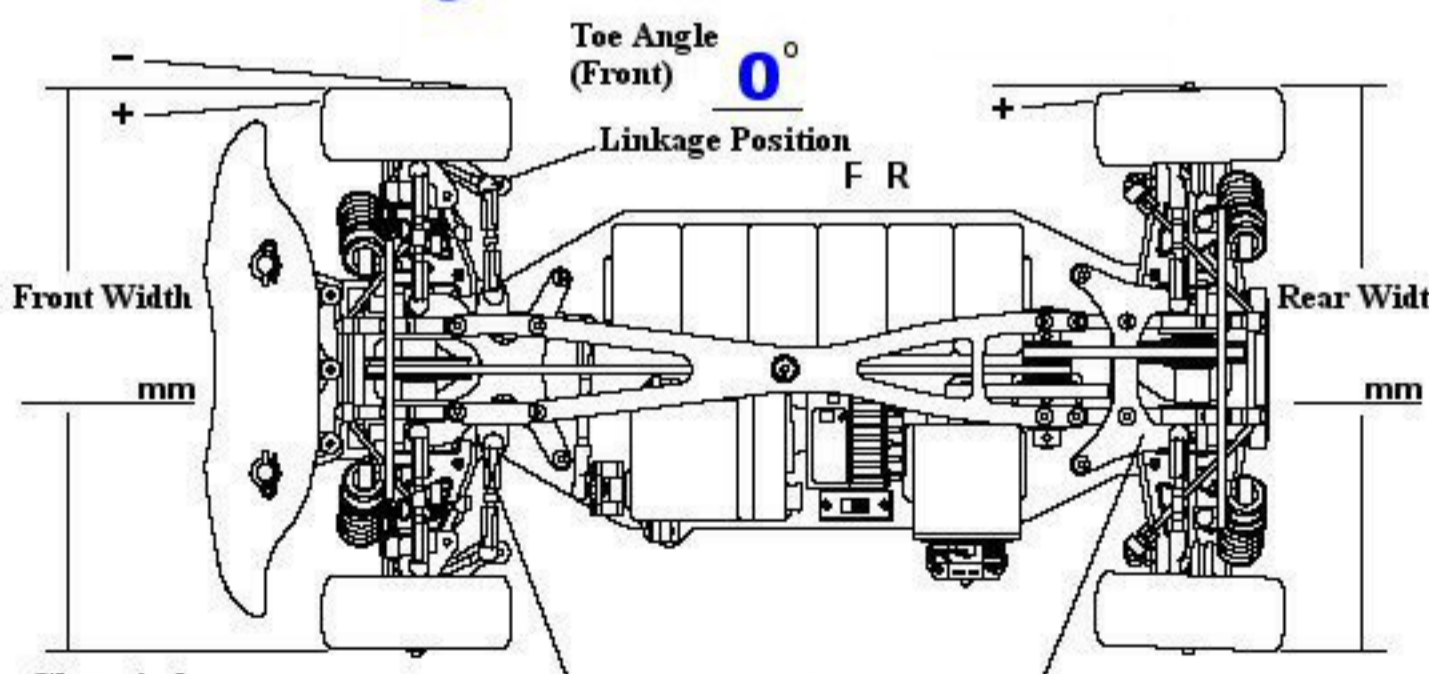
Camber **1.5** °
 Ride Height **6** mm
 Droop **#5** mm
 Roll Bar None **S** M H
 Outer ball joint shim **0** mm
 Rear Hub **0**° 1° 2°



Shock Length **63.5** mm
 Piston **3** holes
 Oil **20** wt.
 Spring **Fluro Red**
 Wheel Hex **6** mm
 Wheel Spacer **0** mm

Notes
"DJ" Rear Suspension

F Sus. Mount Front XD XC XB XA X **A** B C D E R Sus. Mount Front XD XC XB XA X **A** B C D E
 Rear XD XC XE XA X A B C D E



Chassis braces **None** F R All
 F sus arm spacer F **2** mm R **6** mm
 Rear Sus. arm spacer F **5** mm R **3** mm

Notes

Motor **EA Monster**
 Spur Gear **101** T Pinion Gear **37** T
 Battery **PMR GP33's**
 Body **Ride Stratus Mk2**
 Wing **Flap Type-RW**
 Tire **CS-22**
 Wheel **Sorex 24mm Dish**
 Tire Insert **CS-M**
 Best Lap