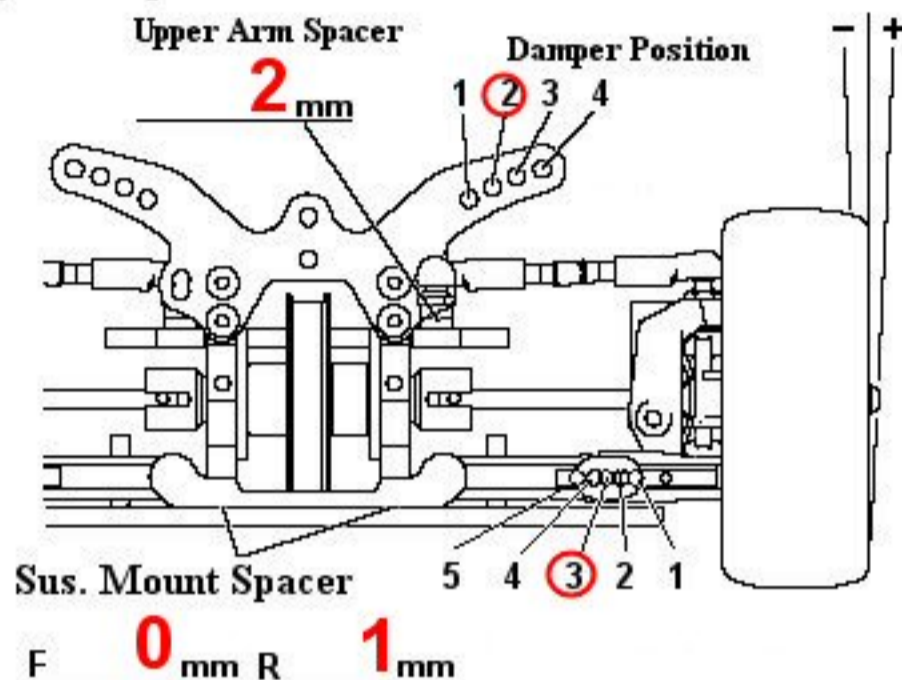


# TRF415

## SETTING SHEET [Lightweight suspension]

Name **Ed Clark** Date **8-5-04** Air Temp. \_\_\_\_\_ Humidity \_\_\_\_\_  
 Track **TORC Rd3 (Beddy)** Track Cond. \_\_\_\_\_ Track Temp. \_\_\_\_\_

### [Front]



Camber **-1.5°**  
 Ride Height **5.5 mm**  
 Droop **#4 mm**  
 Front Drive **Spool** Diff One-way  
 Roll Bar None **S** M H  
 Castor Block 2° **4°**



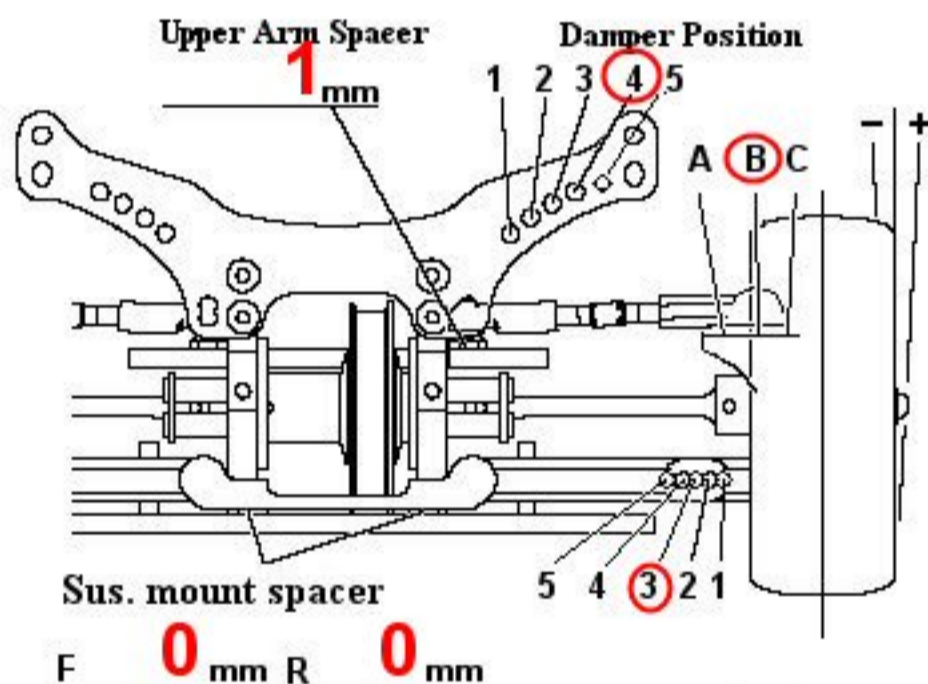
Shock Length **62.0 mm**  
 Piston **3 holes**  
 Oil **50 wt.**  
 Spring **Yellow**  
 Wheel Hex **6 mm**  
 Wheel Spacer **0 mm**

Notes

**MS Shock Tower**

Centre Drive **Locked** One-way

### [Rear]



Camber **-1.5°**  
 Ride Height **6 mm**  
 Droop **#4 mm**  
 Roll Bar None **S** M H  
 Outer ball joint shim **2 mm**  
 Rear Hub **0°** 1° 2°

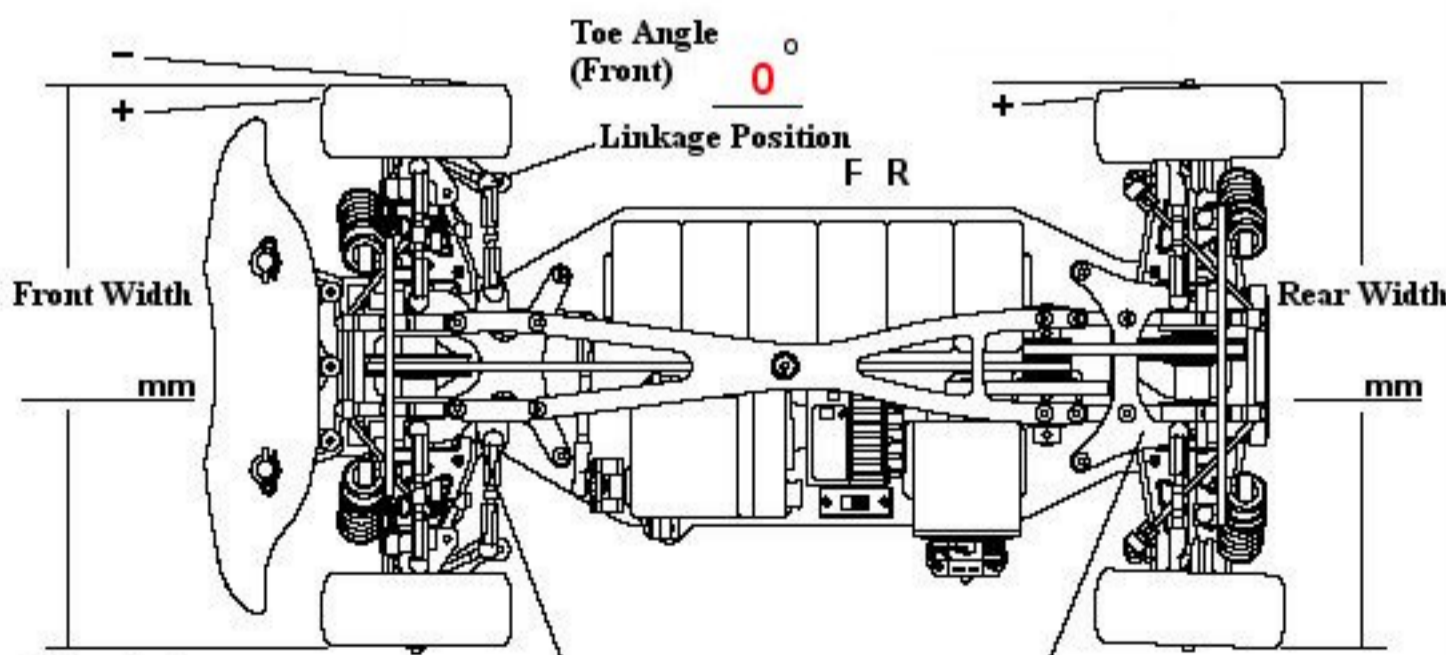


Shock Length **62.0 mm**  
 Piston **3 holes**  
 Oil **50 wt.**  
 Spring **Yellow**  
 Wheel Hex **6 mm**  
 Wheel Spacer **0 mm**

Notes

**MS Shock Tower**

F Sus. Mount Front XD XC XB XA X **A** B C D E  
 Rear XD XC XB XA X **A** B C D E  
 R Sus. Mount Front XD XC XB XA X **A** B C D E  
 Rear XD XC XB XA X **A** B C D E



Chassis braces **None** F R All  
 F sus arm spacer F **2 mm** R **3+3 mm**  
 Rear Sus. arm spacer F **3+3 mm** R **2 mm**

Notes

Motor **EA Roar**  
 Spur Gear **98<sub>T</sub>** Pinion Gear **39<sub>T</sub>**  
 Battery **Promatch GP3300**  
 Body **Dodge 3.0**  
 Wing **STD**  
 Tire **CS-22 (Pre-Glued)**  
 Wheel **CS-22 (Pre-Glued)**  
 Tire Insert **CS-M (Pre-Glued)**  
 Best Lap **17.78**