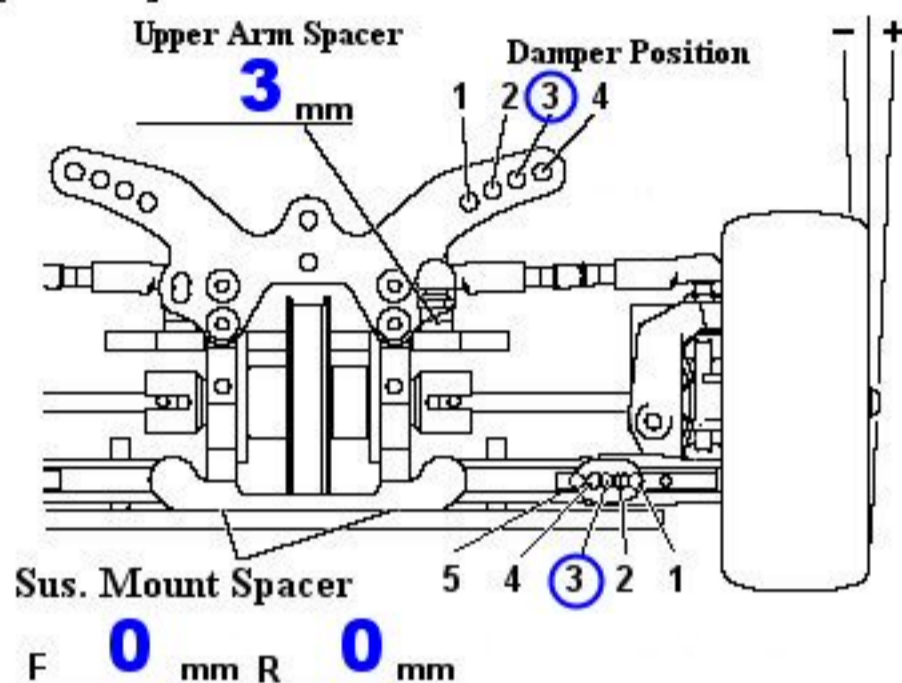


TRF415

SETTING SHEET [Lightweight suspension]

Name **Ed Clark** Date **17-04-05** Air Temp. _____ Humidity _____
 Track **TORC Rd2 (Ashby)** Track Cond. _____ Track Temp. _____

[Front]

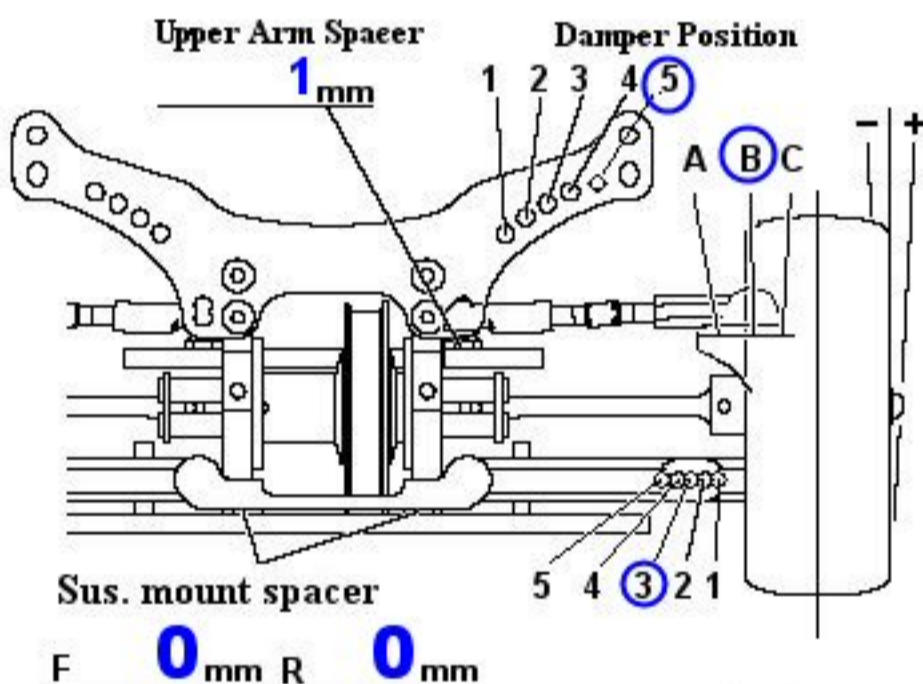


Camber	-1.5 °
Ride Height	5.5 mm
Droop	#4 mm
Front Drive Spool Diff	One-way
Roll Bar	None S M H
Castor Block	2° 4
Notes	MS shock tower



Shock Length	62.0 mm
Piston	3 holes
Oil	40 wt.
Spring	White
Wheel Hex	6 mm
Wheel Spacer	0 mm

[Rear]

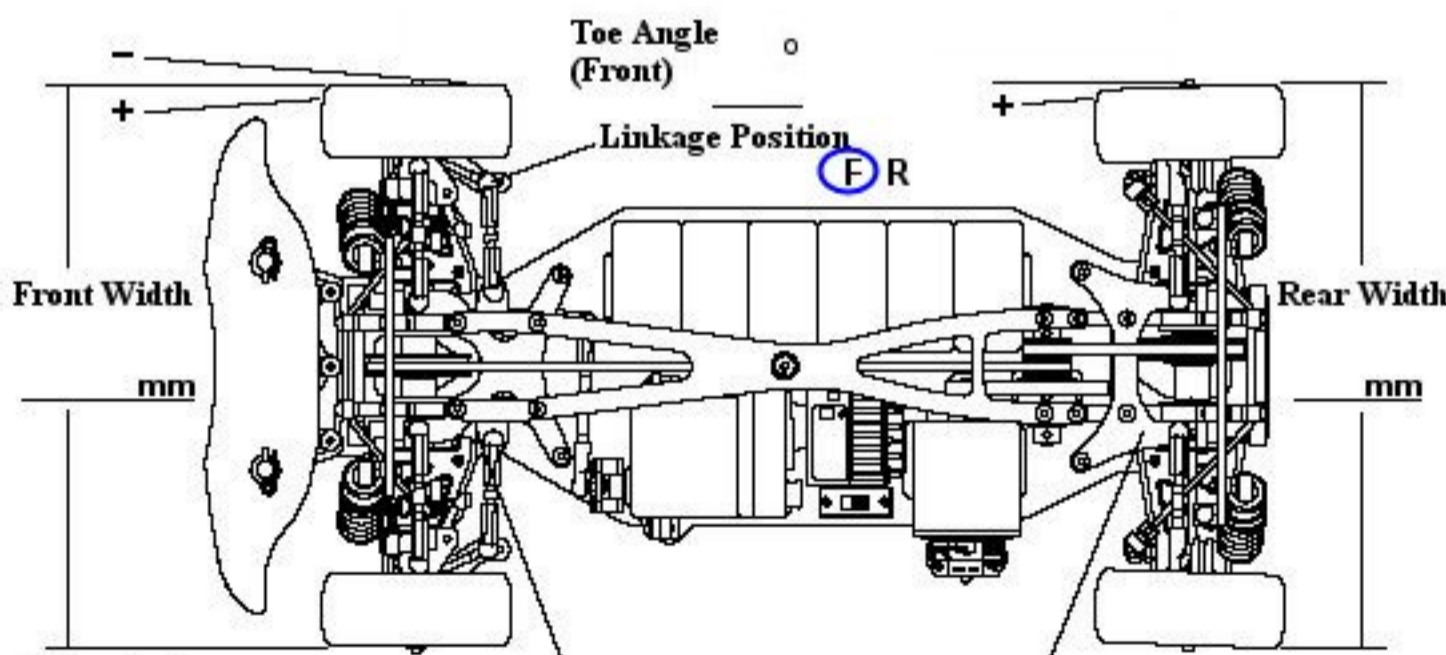


Centre Drive Locked	One-way
Camber	-1.5 °
Ride Height	6 mm
Droop	#4 mm
Roll Bar	None S M H
Outer ball joint shim	2 mm
Notes	MS shock tower 0deg Alloy hub carriers



Shock Length	62.0 mm
Piston	3 holes
Oil	40 wt.
Spring	Blue
Wheel Hex	6 mm
Wheel Spacer	0 mm

F Sus. Mount	Front	XD XC XB XA X A B C D E	R Sus. Mount	Front	XD XC XB XA X A B C D E
	Rear	XD XC XB XA X A B C D E		Rear	XD XC XB XA X A B C D E



Chassis braces	None F R All	F sus arm spacer	F 2 mm R 3+3 mm	Rear Sus. arm spacer	F 3+3 mm R 2 mm
----------------	---------------------	------------------	-------------------------------	----------------------	-------------------------------

Notes **3mm chassis Gearing wrong, try 6.1 for Handled well a little loose on rear on entry**

Motor	Team Scream Roar (quad)
Spur Gear	101 T
Pinion Gear	35 T
Battery	Promatch GP3300
Body	Dodge 3.0
Wing	Std
Tire	CS-22 (pre-glue)
Wheel	CS-22 (pre-glue)
Tire Insert	CS-M (pre-glue)
Best Lap	