

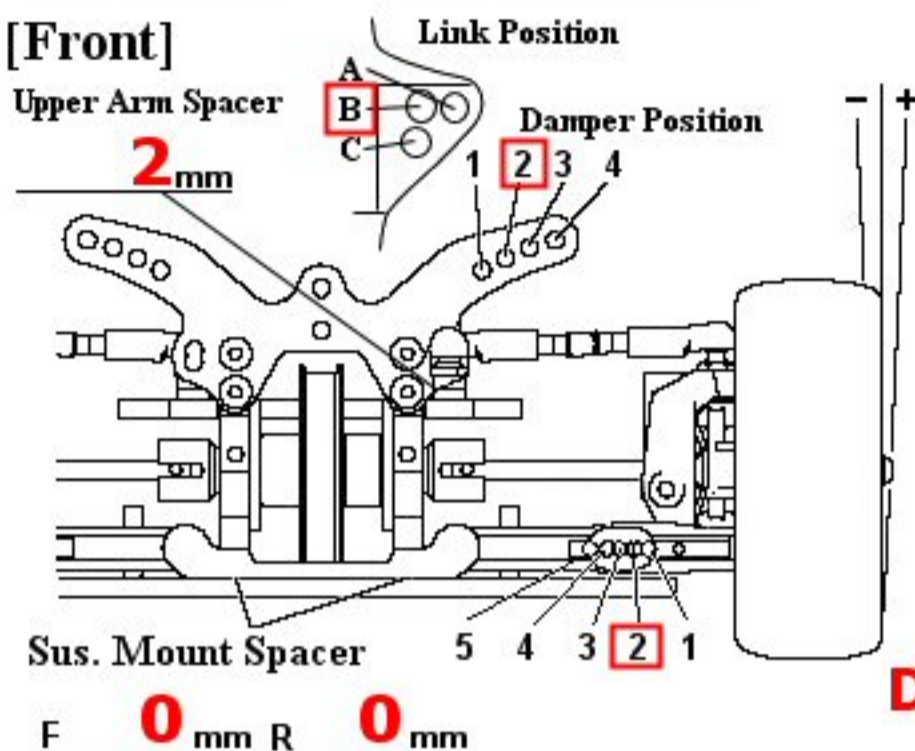
# TRF415 MSX

SETTING SHEET セッティングシート Ver 1.00

Name **Ed Clark** Date **16-10-05** Air Temp. **Cool** Humidity

Track **Ashby - TORC Rd13** Track Cond. **Grippy, but V.Bumpy** Track Temp.

## [Front]



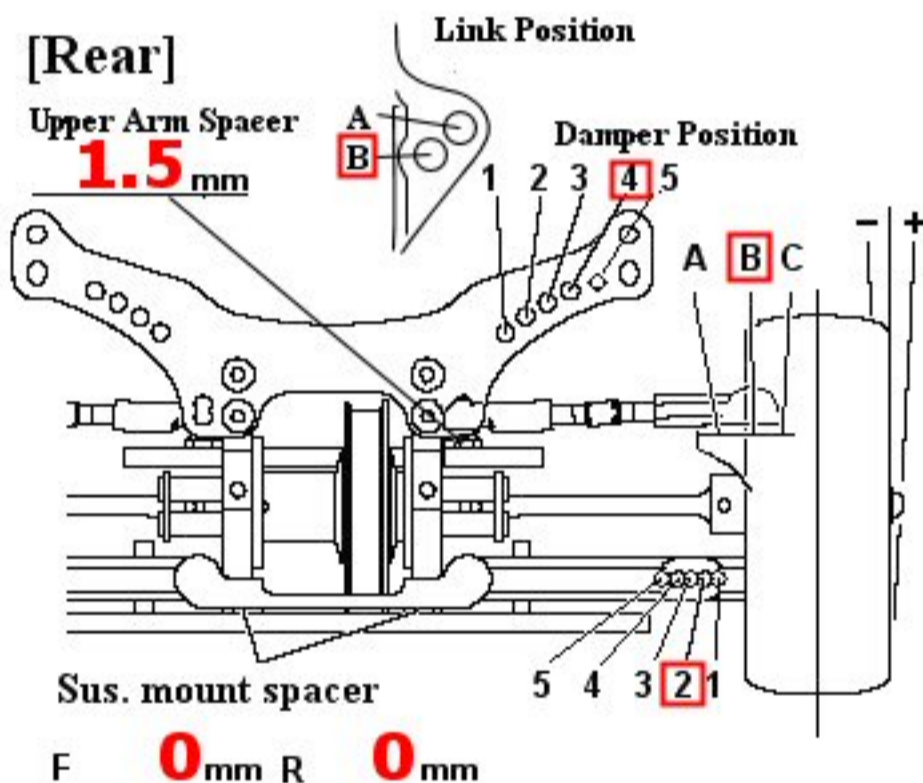
Camber **1.5°**  
 Ride Height **5.5mm**  
 Droop **#5mm**  
 Front Drive **Spool** Diff **One-way**  
 Roll Bar **None S M H**  
 Castor Block **2° 4°**



Shock Length **62.5mm**  
 Piston **3 holes**  
 Oil **40 wt.**  
 Spring **Yellow**  
 Wheel Hex **5mm**  
 Wheel Spacer **0mm**

Notes **Droop measured on Yokomo gauge**

## [Rear]

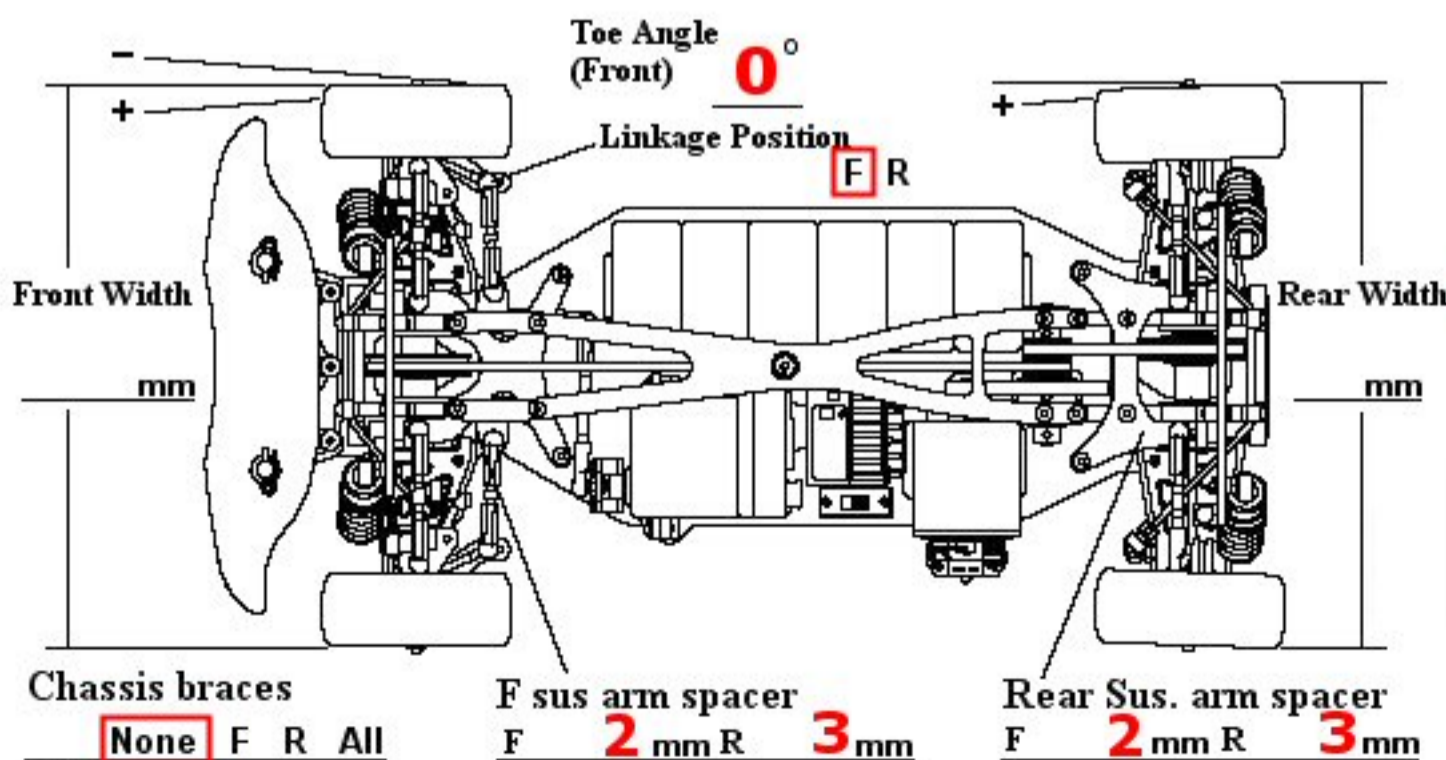


Centre Drive **Locked** One-way  
 Camber **1.5°**  
 Ride Height **6mm**  
 Droop **#4mm**  
 Roll Bar **None S M H**  
 Outer ball joint shim **mm**  
 Rear Hub **0° 1° 2°**



Shock Length **62.5mm**  
 Piston **3 holes**  
 Oil **40 wt.**  
 Spring **Yellow**  
 Wheel Hex **5mm**  
 Wheel Spacer **0mm**

F Sus. Mount Front XD XC XB XA X **A** B C D E R Sus. Mount Front XD XC XB **XA** X A B C D E  
 Rear XD XC XB **XA** X A B C D E Rear XD XC XB XA X **A** B C D E



Notes

**2.5mm chassis. Car very stable**

Motor **EA Monster**

Spur Gear **102 T** Pinion Gear **37 T**

Battery **PMR GP3300**

Body **Ride Stratus Mk2**

Wing **Standard**

Tire **CS22-Pregule**

Wheel **CS22-Pregule**

Tire Insert **CSM**

Best Lap