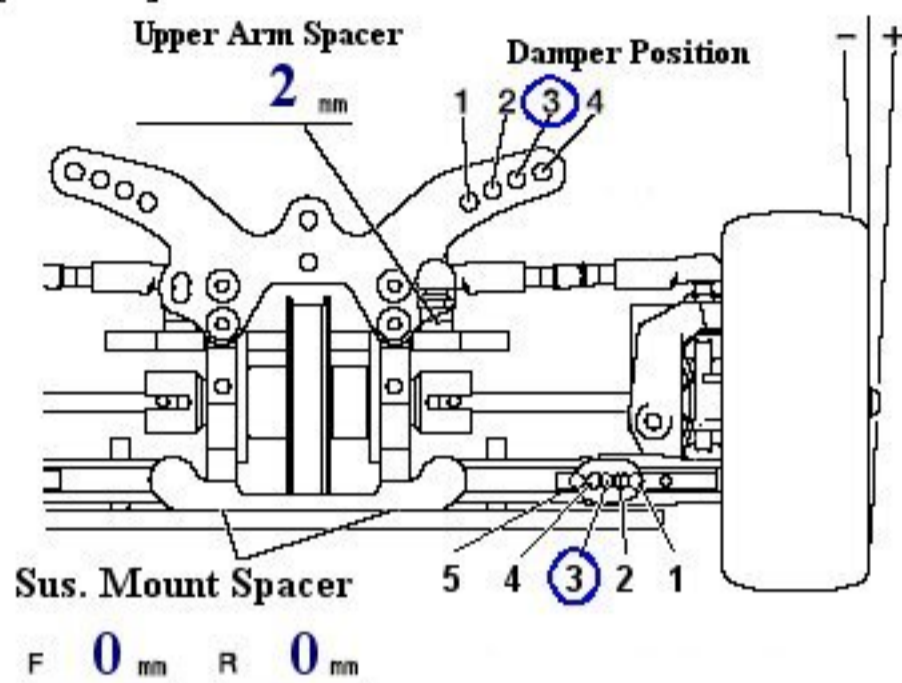


TRF415

SETTING SHEET [Lightweight suspension]

Name	Randy Caster	Date		Air Temp.		Humidity	
Track	SoCal Raceway	Track Cond.	High Bite Asphalt			Track Temp.	

[Front]



Camber	1.5 °
Ride Height	5 mm
Droop	2 mm
Front Drive Spool Diff	One-way
Roll Bar	None (S) M H
Castor Block	2deg (4deg)

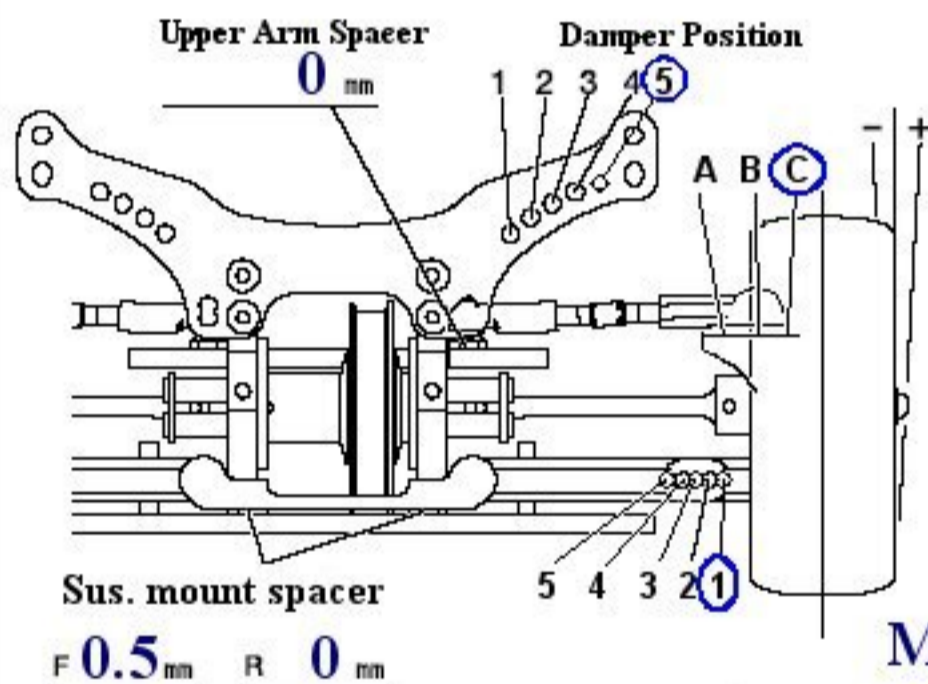


Shock Length	61.75 mm
Piston	3 holes
Oil	40 wt.
Spring	Yellow
Wheel Hex	4 mm
Wheel Spacer	.5 mm

Notes
MS Shock Towers

Body Post Mount Hole 9

[Rear]



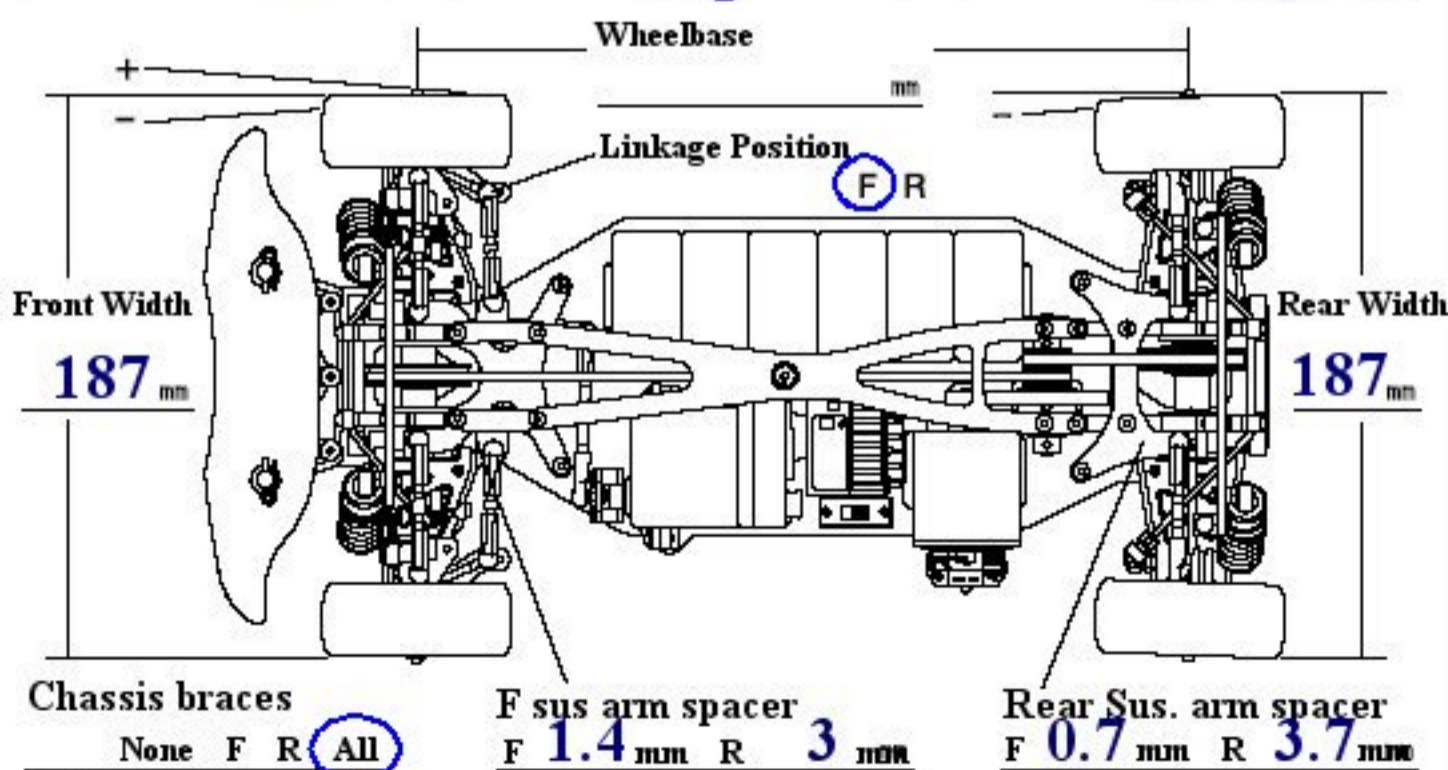
Centre Drive Locked	One-way
Camber	1.5 °
Ride Height	5 mm
Droop	4 mm
Roll Bar	None (S) M H
Outer ball joint shim	0 mm



Shock Length	61.75 mm
Piston	3 holes
Oil	40 wt.
Spring	Yellow
Wheel Hex	4 mm
Wheel Spacer	1 mm

Notes
MS shock tower, Body post mount hole 3

Toe Angle (Front)	+1 °	F Sus. Mount	Front X A B C (D)	R Sus. Mount	Front (X) A B C D
			Rear (A) D		Rear X (A) B C D



Chassis braces	None F R (All)	F sus arm spacer	F 1.4 mm R 3 mm	Rear Sus. arm spacer	F 0.7 mm R 3.7 mm
----------------	----------------	------------------	-----------------	----------------------	-------------------

Notes
2.5mm MS chassis

Motor	Brood V2 6x1		
Spur Gear	104 _T	Pinion Gear	25 _T
Battery	SMC		
Body	Mazda6		
Wing	Stock		
Tire	Sorex 36R		
Wheel	Yokomo Precision		
Tire Insert	Yokomo STF		
Best Lap	9.8 sec		