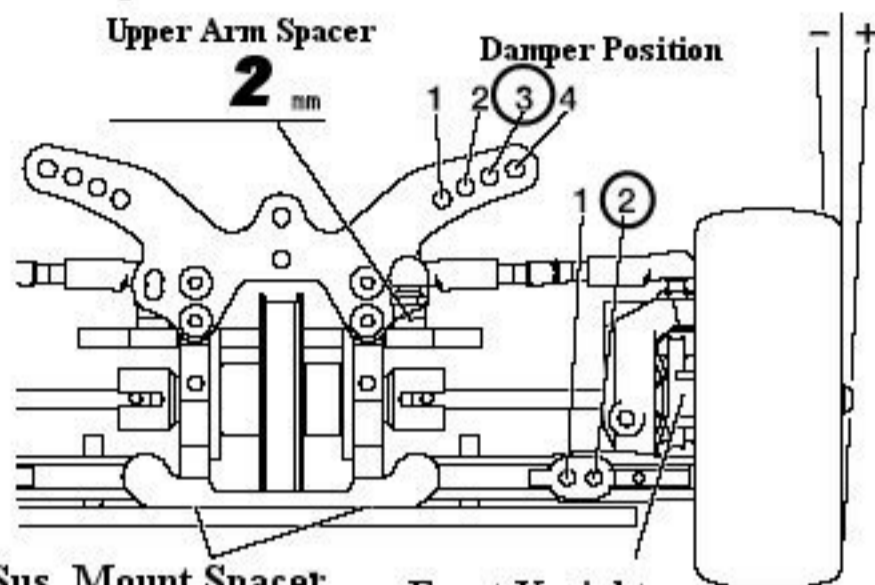


TRF415

SETTING SHEET [Standard Arms]

Name **RC** Date **Oct 04** Air Temp. **75F** Humidity _____
 Track **SoCal** Track Cond. **Super hi traction indoor asphalt** Track Temp. **75F**

[Front]



Sus. Mount Spacer F **0.7** mm R **0** mm
 Front Upright L C1 **C2** R C2 **C1**

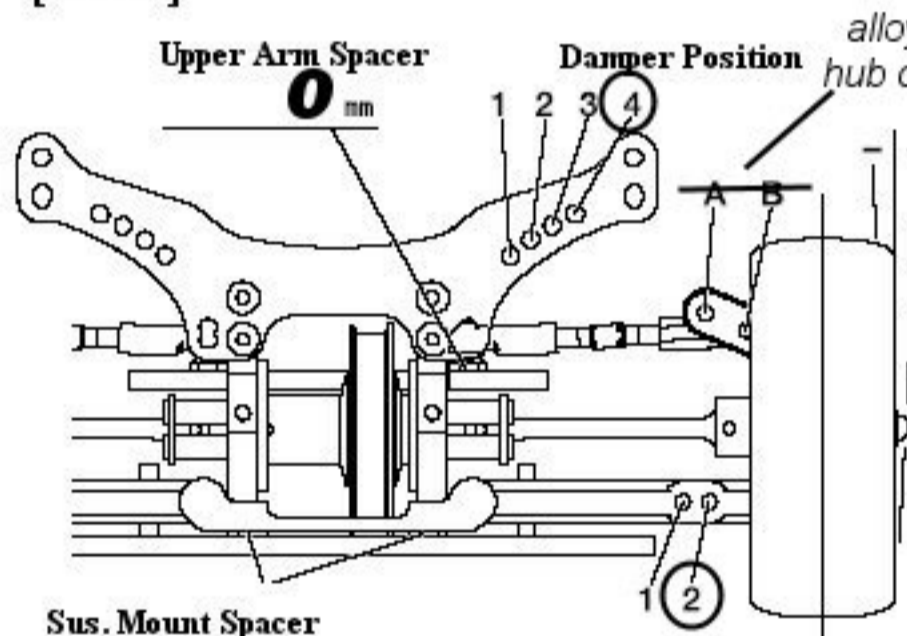
Camber **-1.5**
 Ride Height **5** mm
 Droop **6** mm
 Front Drive Spool Diff **One-way**
 Roll Bar None **S** M H



Shock Length _____ mm
 Piston **2** holes
 Oil **AE 40** wt.
 Spring **Tam Yellow**
 Wheel Hex _____ mm
 Wheel Spacer **0.5** mm

Notes
 Ground clearance measured with tamiya setup wheels
 Rebound stroke measured with ride height gauge
 from lowest point on suspension arm to setup board

[Rear]



Sus. Mount Spacer F **1** mm R **1** mm
 Rear Upright **1** 2'

Camber **-1.5**
 Ride Height **5** mm
 Droop **7** mm
 Roll Bar None **S** M H
 Centre Drive Locked **One-way**

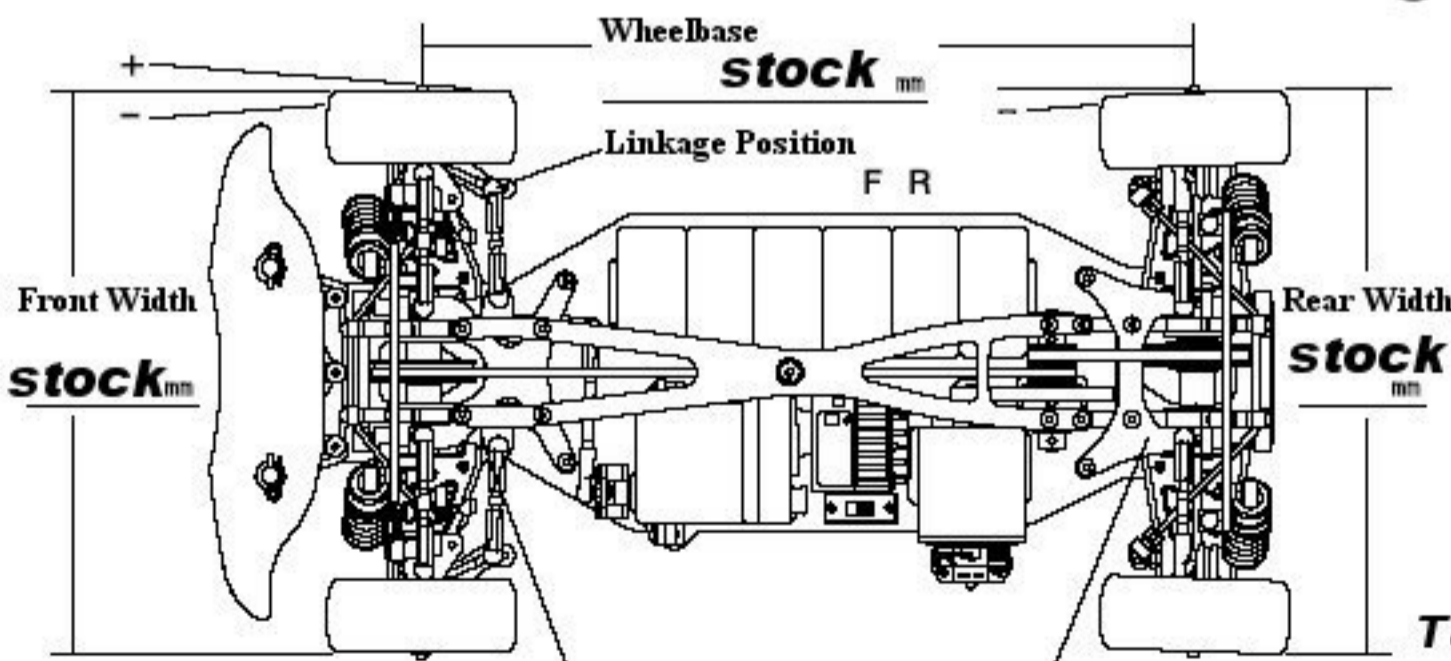


Shock Length _____ mm
 Piston **2** holes
 Oil **AE 40** wt.
 Spring **Tam Yellow**
 Wheel Hex _____ mm
 Wheel Spacer **0** mm

Notes
 see above

Toe Angle (Front) **0**
 F Sus. Mount Front X A B **C** D Rear **A** D

R Sus. Mount Front **X** A B C D Rear X A B C **D**



Lower Deck **3** mm
 F Suspension Arm Spacer **stock** mm
 R Suspension Arm Spacer **stock** mm

Notes Full Paragon for 7-10mins. Hara medium black inserts may be better.
 Things to try: Car felt pretty good..can't think of anything :) hmmm
 there appears to be very little front droop.. oh well

Motor **2-mag Binary**

Spur Gear **100** T Pinion Gear **28** T

Battery **Promatch GP3300**

Body **PF Mazda6**

Wing **Standard**

Tire **Sorex 36R**

Wheel **Tamiya 0mm Offset dish**

Tire Insert **HPI Green**

Best Lap **9.49sec**