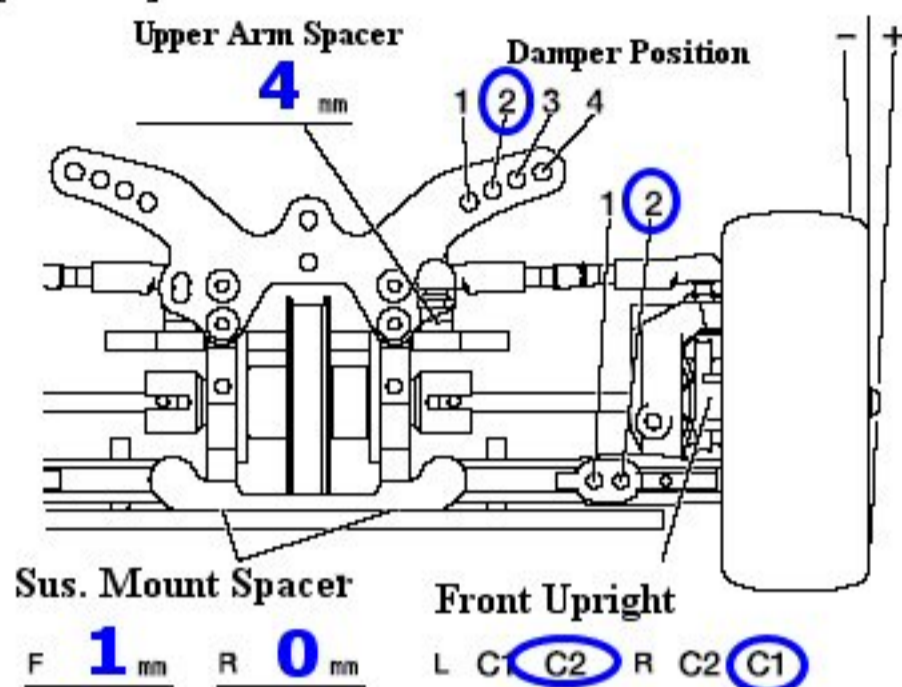


TRF415

SETTING SHEET [Standard Arms]

Name **Ed Clark** Date **9-9-05** Air Temp. _____ Humidity _____
 Track **Maritime Indoor (Aug - Sept 05)** Track Cond. **High Grip Carpet** Track Temp. _____

[Front]



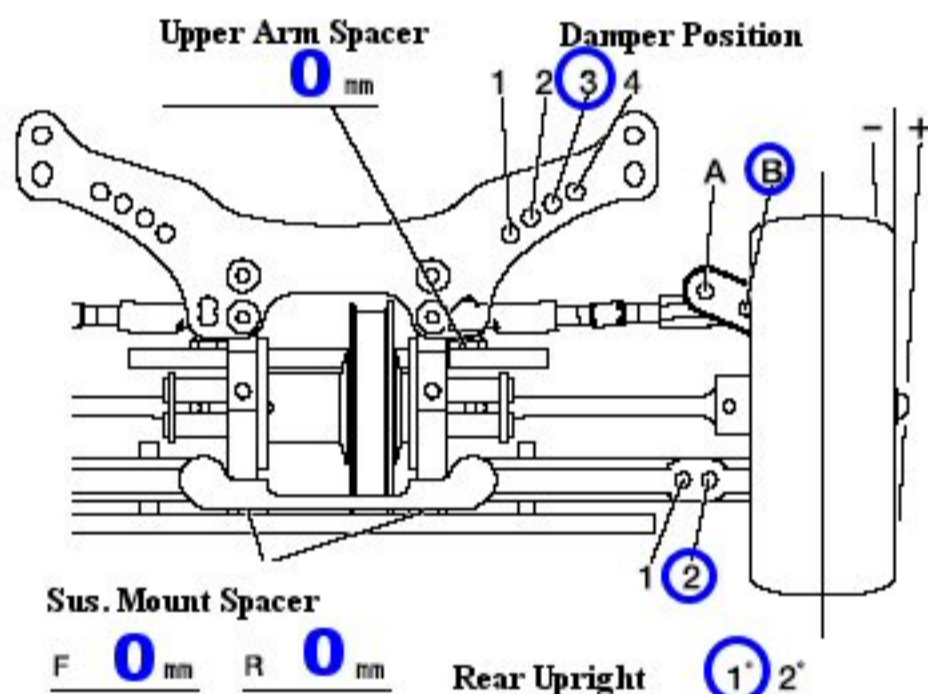
Camber **-1.5**
 Ride Height **5 mm**
 Droop **#5 mm**
 Front Drive Spool **Diff** One-way
 Roll Bar None S **M** H



Shock Length **62.0 mm**
 Piston **3 holes**
 Oil **60 wt.**
 Spring **Xray Blue**
 Wheel Hex **6 mm**
 Wheel Spacer **0 mm**

Notes
Droop on Yokomo Gauge

[Rear]



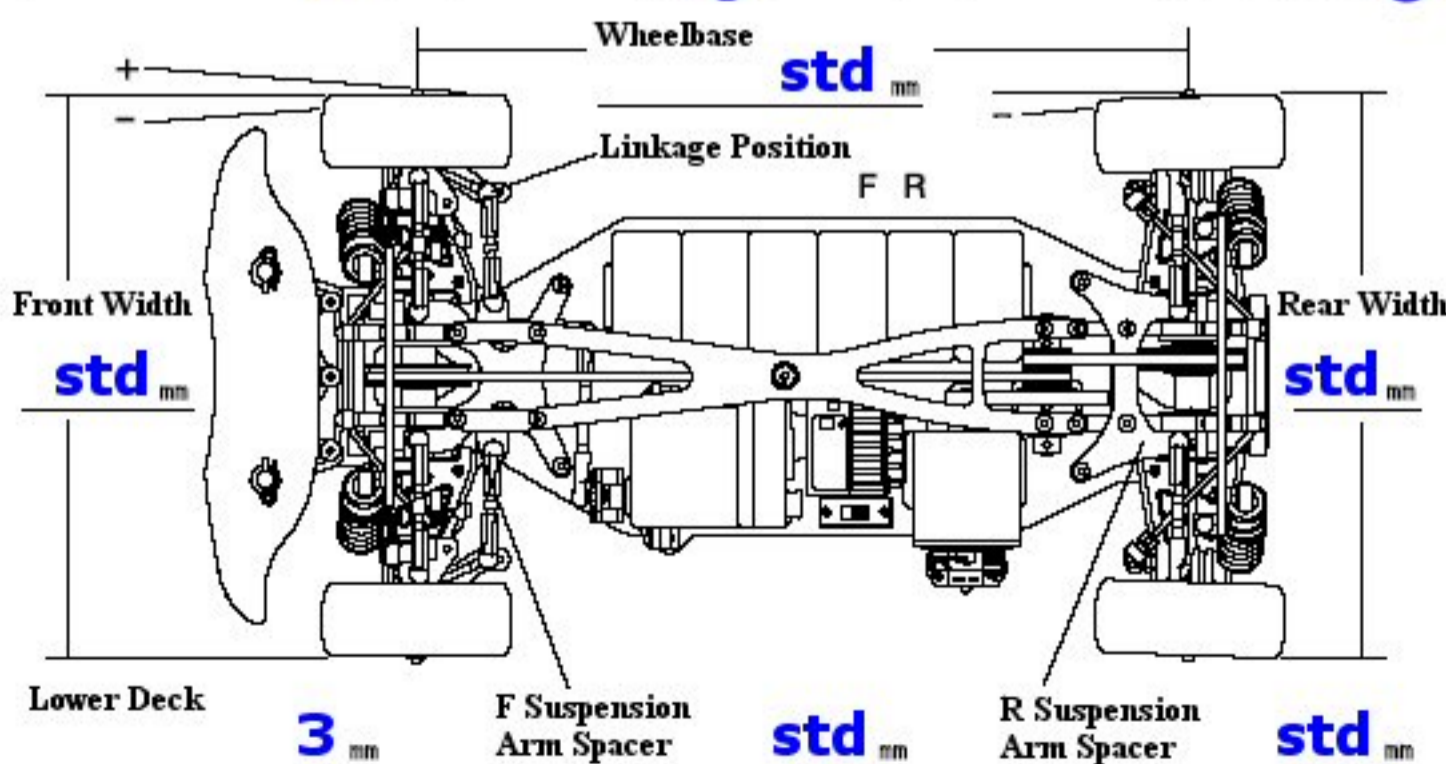
Camber **-2°**
 Ride Height **5.5 mm**
 Droop **#5 mm**
 Roll Bar **None** S M H
 Centre Drive **Locked** One-way



Shock Length **62.0 mm**
 Piston **3 holes**
 Oil **60 wt.**
 Spring **Xray Blue**
 Wheel Hex **6 mm**
 Wheel Spacer **0 mm**

Notes
Droop on Yokomo Gauge

Toe Angle (Front) **0°** F Sus. Mount Front X A B **C** D Rear **A** D R Sus. Mount Front X A **B** C D Rear X A B C **D**



Notes
Car Fast & Stable, Q'd 7th O/a, Finished 8th O/a

Motor **EA Monster**
 Spur Gear **104 T** Pinion Gear **26 T**
 Battery **PMR GP3300**
 Body **P'Form Dodge3**
 Wing **std**
 Tire **CS-22**
 Wheel **Yok 24mm spoke**
 Tire Insert **V2 Hara Grey**
 Best Lap **18 in 246**