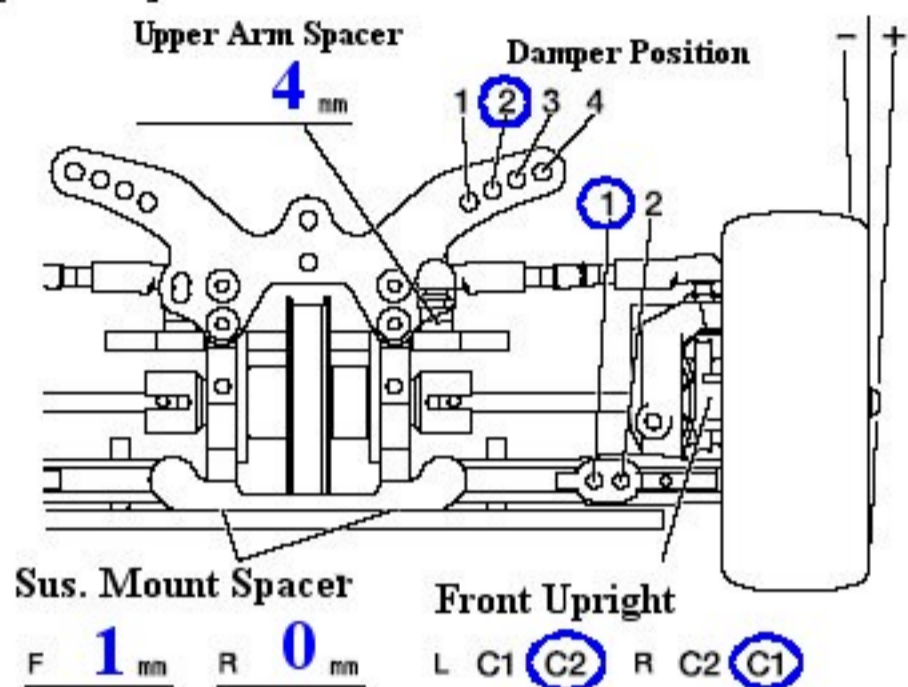


# TRF415

## SETTING SHEET [Standard Arms]

Name	Date	Air Temp.	Humidity
Track	Track Cond.		Track Temp.

### [Front]



Camber	-1.5 °
Ride Height	4 mm
Droop	1 mm
Front Drive Spool	Diff One-way
Roll Bar	None S M H

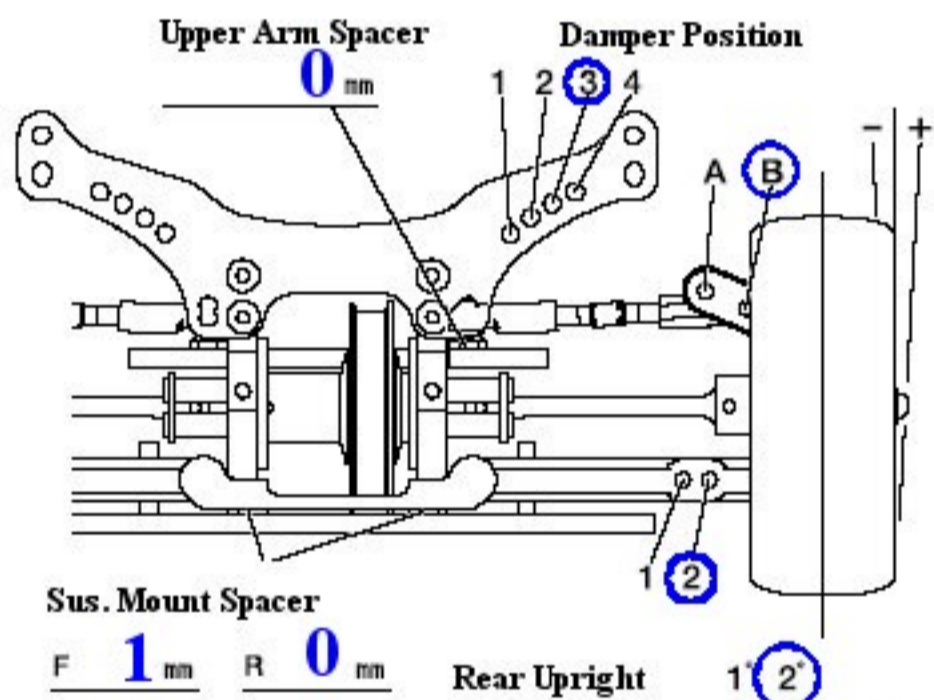


Shock Length	mm
Piston	2 holes
Oil	50lb AE wt.
Spring	AE Yellow
Wheel Hex	4 mm
Wheel Spacer	1.5 mm

Notes

28mm Jaco Plaid

### [Rear]



Camber	-1.5 °
Ride Height	4.5 mm
Droop	2 mm
Roll Bar	None S M H
Centre Drive	Locked One-way



Shock Length	mm
Piston	2 holes
Oil	50lb AE
Spring	AE Purple
Wheel Hex	4 mm
Wheel Spacer	1.5 mm

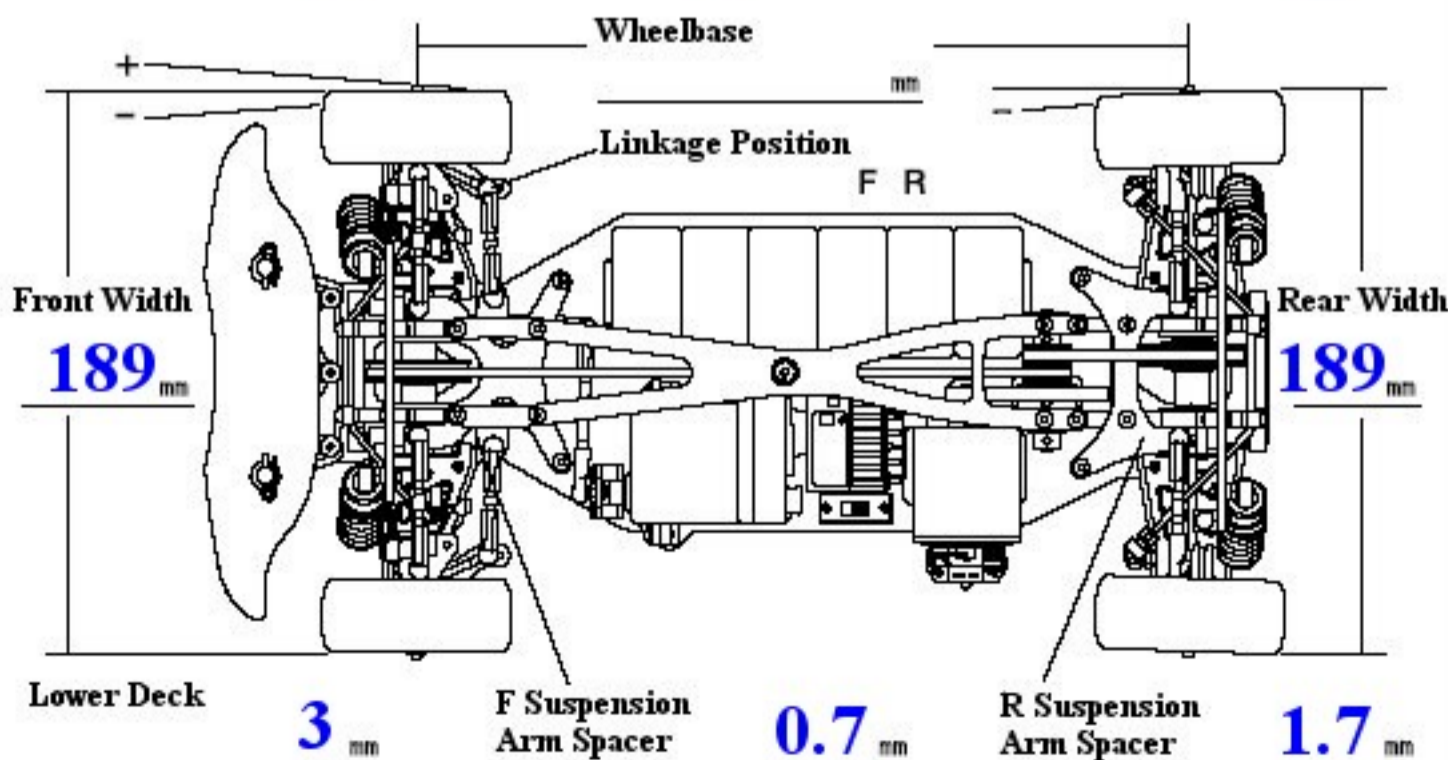
Notes

28mm Jaco Purple

Toe Angle (Front) 0 °

F Sus. Mount Front X A B C D, Rear A D

R Sus. Mount Front X A B C D, Rear X A B C D



Notes

### Motor

Spur Gear	Pinion Gear
	T T

Battery

Body

Wing

Tire

Wheel

Tire Insert

Best Lap