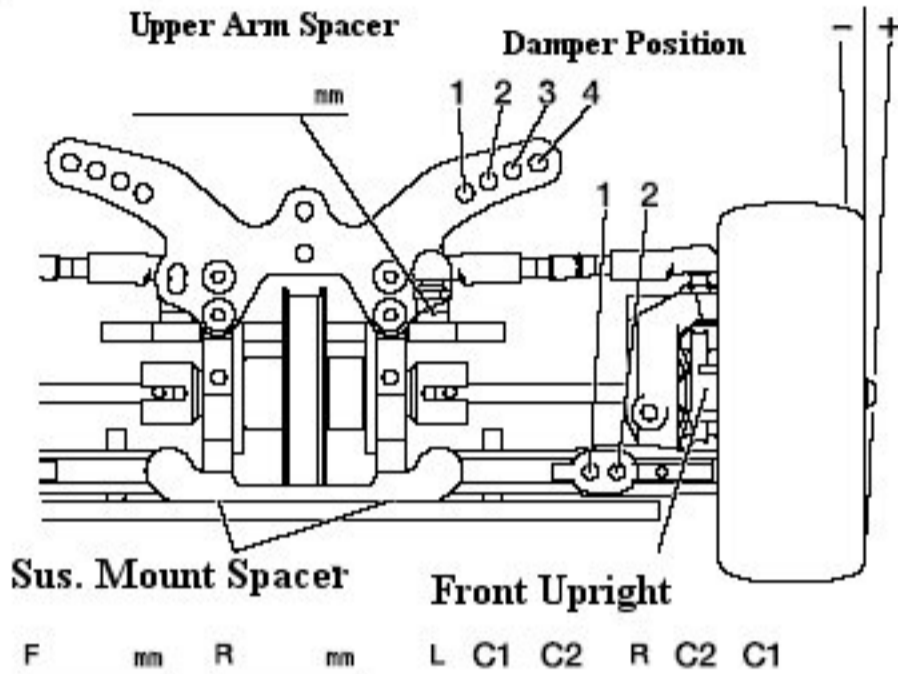


TRF415

SETTING SHEET [Standard Arms]

Name	Date	Air Temp.	Humidity
Track	Track Cond.		Track Temp.

[Front]



Camber _____ °

Ride Height _____ mm

Droop _____ mm

Front Drive
Spool Diff One-way

Roll Bar
None S M H

Notes _____



Shock Length _____ mm

Piston _____ holes

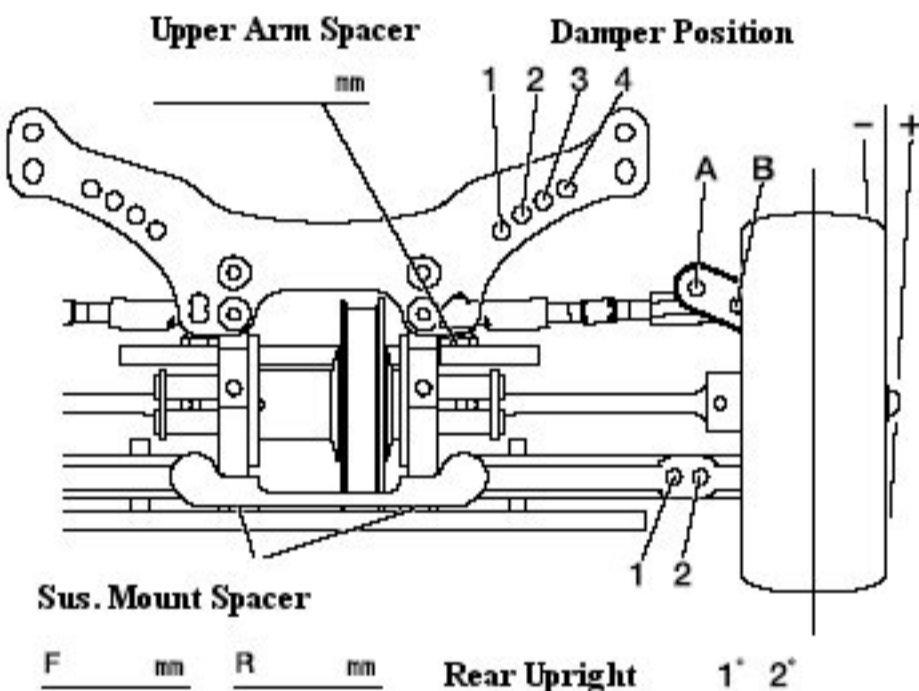
Oil _____ wt.

Spring _____

Wheel Hex _____ mm

Wheel Spacer _____ mm

[Rear]



Camber _____ °

Ride Height _____ mm

Droop _____ mm

Roll Bar
None S M H

Centre Drive
Locked One-way

Notes _____



Shock Length _____ mm

Piston _____ holes

Oil _____ wt.

Spring _____

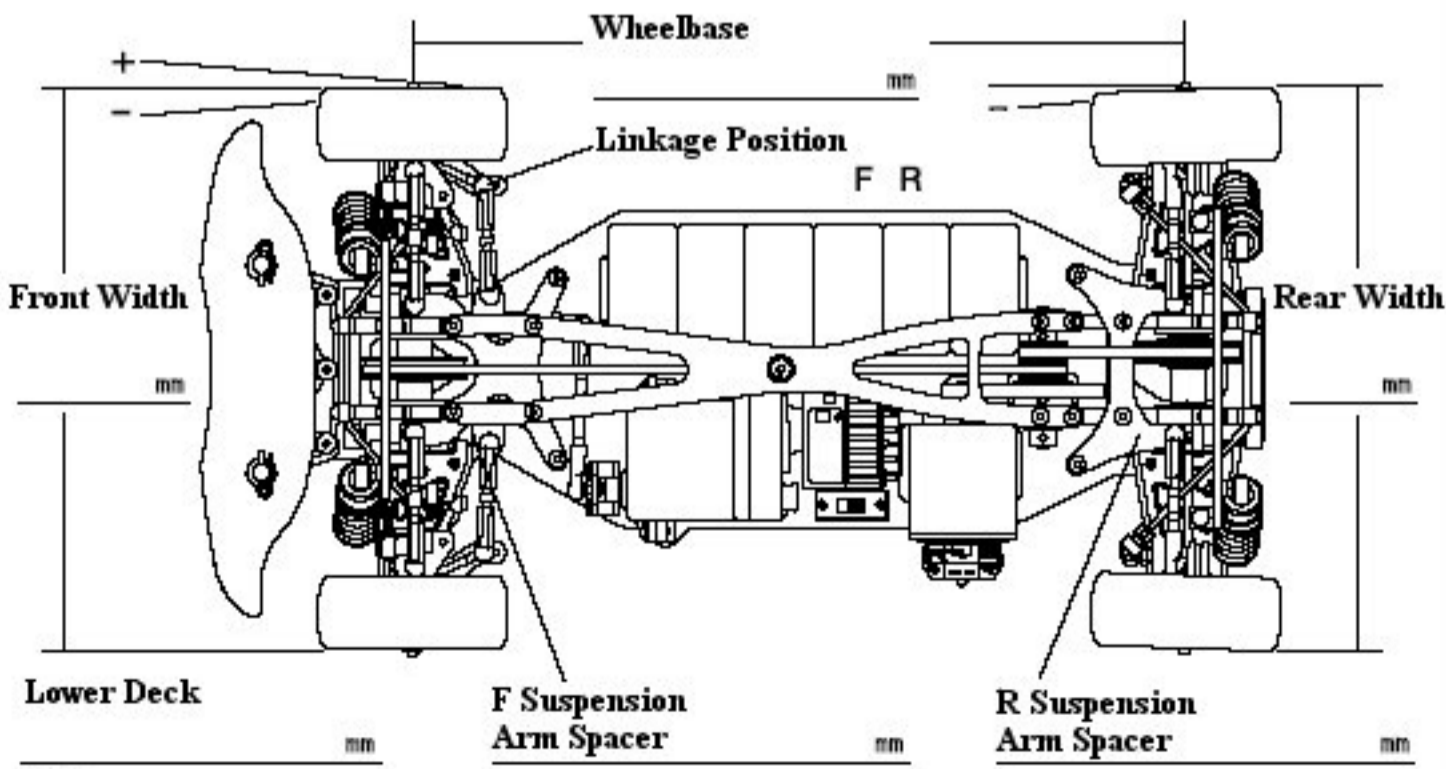
Wheel Hex _____ mm

Wheel Spacer _____ mm

Toe Angle (Front) _____ °

F Sus. Mount Front X A B C D Rear A D

R Sus. Mount Front X A B C D Rear X A B C D



Notes _____

Motor

Spur Gear _____ Pinion Gear _____

Battery _____

Body _____

Wing _____

Tire _____

Wheel _____

Tire Insert _____

Best Lap _____