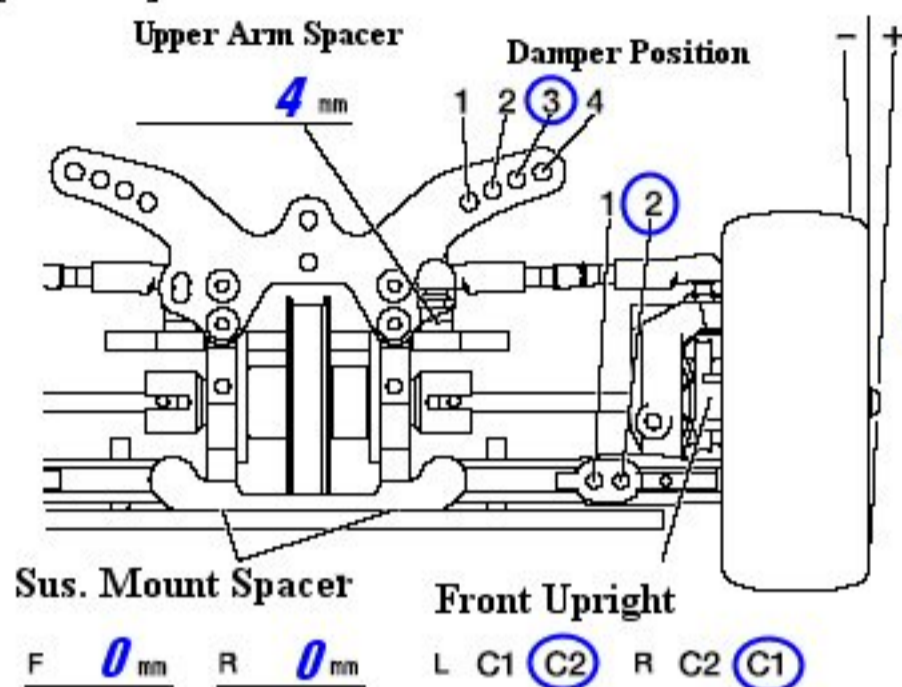


TRF415

SETTING SHEET [Standard Arms]

Name **Ed Clark** Date **13-3-05** Air Temp. Humidity
 Track **BIWS Rd 5** Track Cond. **med grip** Track Temp.

[Front]



Camber **2°**
 Ride Height **5 mm**
 Droop **#4 mm**
 Front Drive **Spool** Diff One-way
 Roll Bar **None** S M H

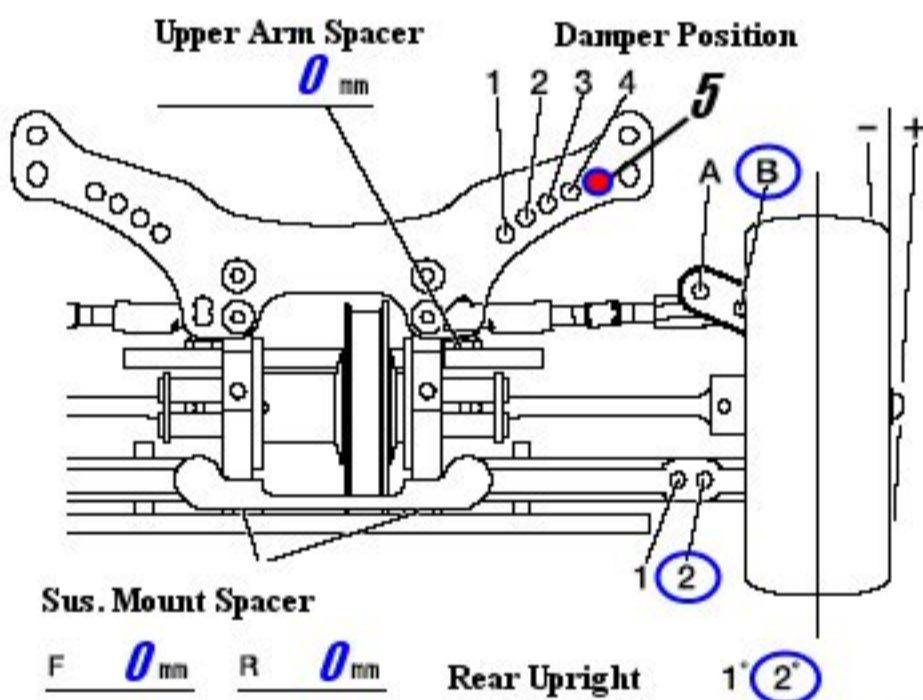


Shock Length **62.0 mm**
 Piston **3 holes**
 Oil **60 wt.**
 Spring **Tam Blue**
 Wheel Hex **0 mm**
 Wheel Spacer **0 mm**

Notes
MS Front Tower

Droop measured on Yokomo gauge!

[Rear]



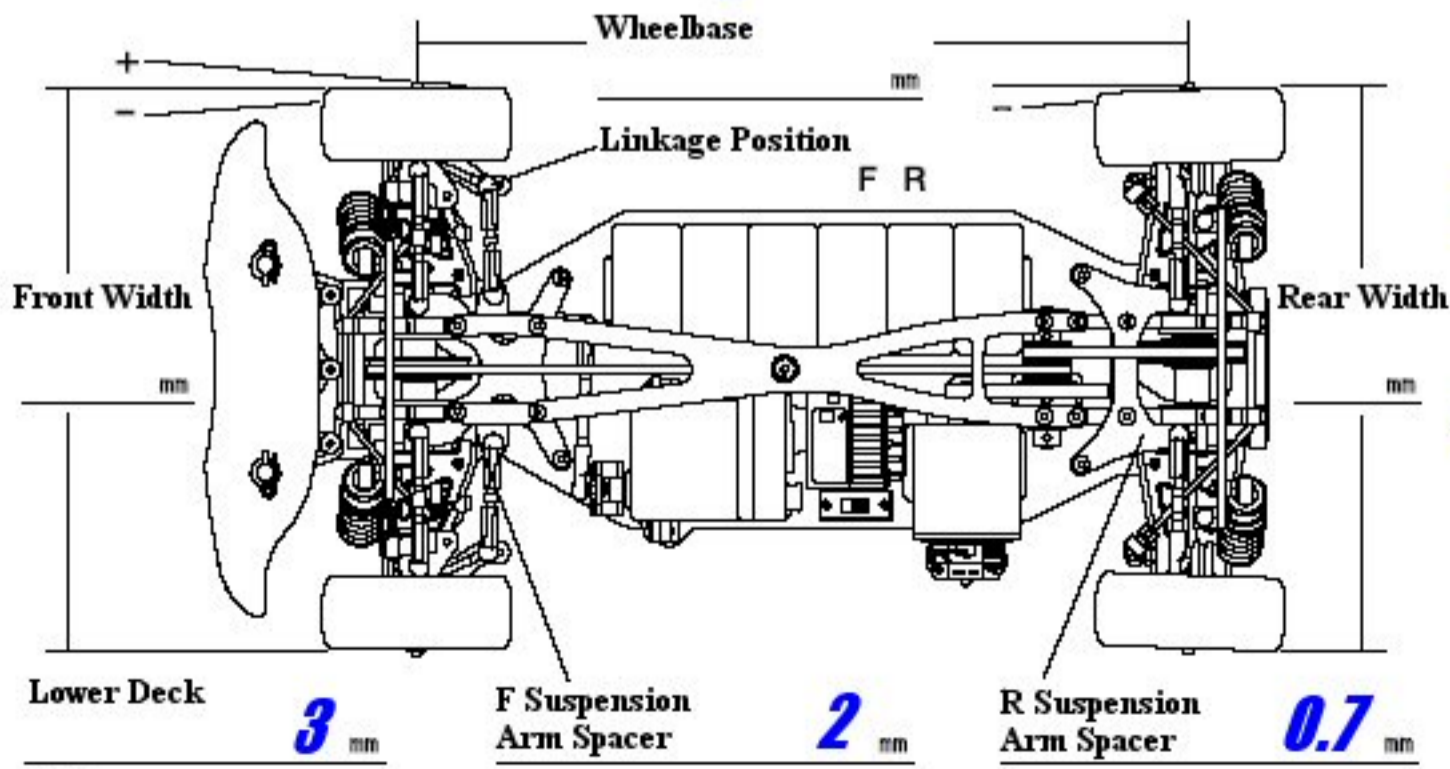
Camber **2°**
 Ride Height **5.5 mm**
 Droop **#4 mm**
 Roll Bar **None** S M H
 Centre Drive **Locked** One-way



Shock Length **62.5 mm**
 Piston **3 holes**
 Oil **60 wt.**
 Spring **Tam Blue**
 Wheel Hex **0 mm**
 Wheel Spacer **0 mm**

Notes
Std Rear Tower

Toe Angle (Front) **0°**
 F Sus. Mount Front X A B C **D** Rear **A** D
 R Sus. Mount Front X A B **C** D Rear X A B C **D**



Notes
8th B-Final, 17th O/A in final standings

Motor **EA ROAR**
 Spur Gear **102 T** Pinion Gear **31 T**
 Battery **ProMatch GP3300**
 Body **Mazda6**
 Wing **Std (w spill plates)**
 Tire **HPI 15-40**
 Wheel **HB 26mm "up"**
 Tire Insert **JB Blue**
 Best Lap