

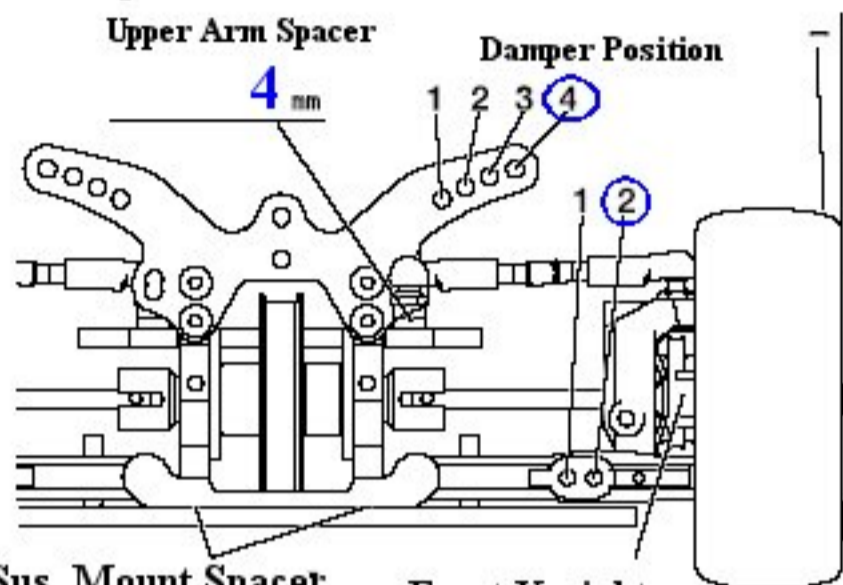
TRF415

SETTING SHEET [Standard Arms]

Name **Ben Cosgrove** Date **25-4-04** Air Temp. **21degC** Humidity **5%**

Track **Bedworth New Layout** Track Cond. **Dry, High traction** Track Temp. **26degC**

[Front]



Sus. Mount Spacer F **0** mm R **0.5** mm
Front Upright L C1 **C2** R C2 **C1**

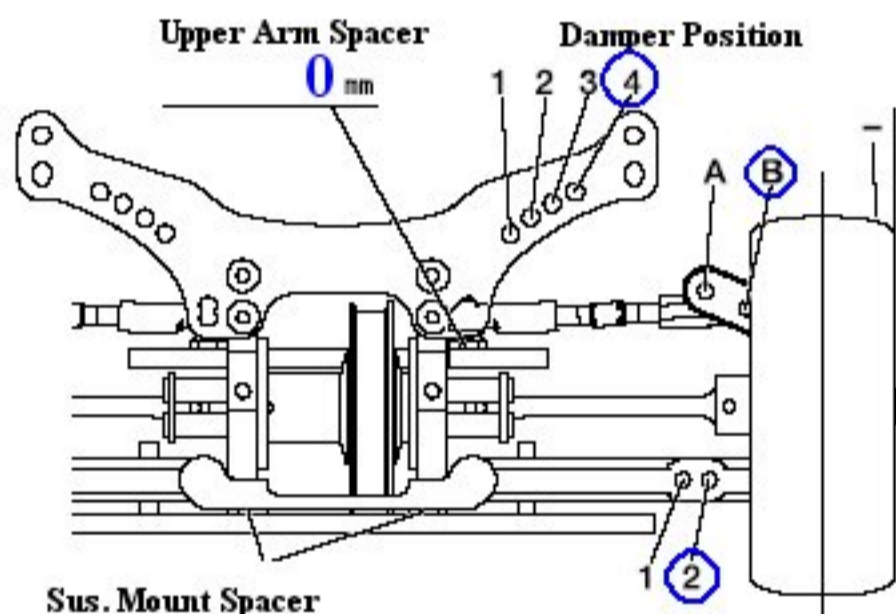
Camber **-1.5** °
Ride Height **6** mm
Droop **Full (?)** mm
Front Drive **Spool** Diff One-way
Roll Bar **None** S M H

Notes



Shock Length mm
Piston **3** holes
Oil **60** wt.
Spring **Tam White**
Wheel Hex mm
Wheel Spacer **0.5** mm

[Rear]



Sus. Mount Spacer F **1** mm R **1** mm
Rear Upright 1 **2**

Camber **-1.5** °
Ride Height **6** mm
Droop **Full (?)** mm
Roll Bar **None** S M H
Centre Drive **Locked** One-way

Notes

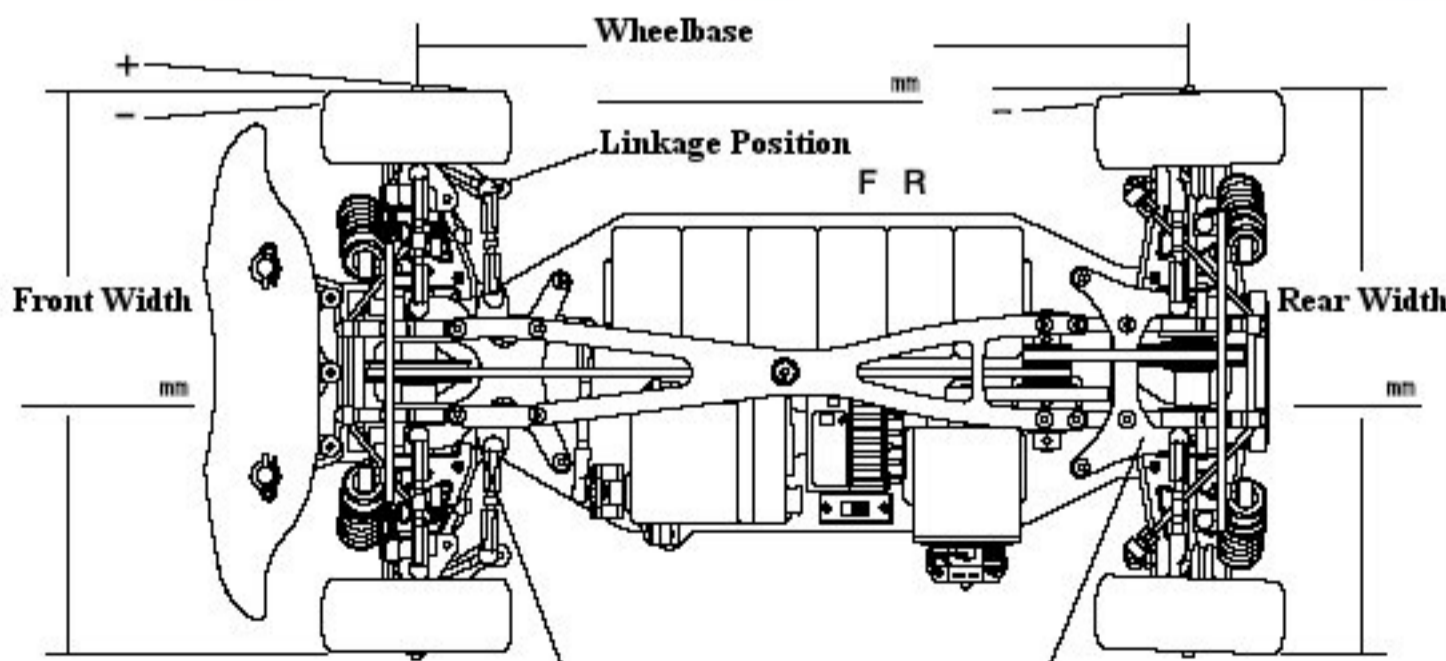


Shock Length mm
Piston **3** holes
Oil **60** wt.
Spring **Tam Blue**
Wheel Hex mm
Wheel Spacer **0.5** mm

Toe Angle (Front) **+0.5** °

F Sus. Mount Front X A B C **D**
Rear A **D**

R Sus. Mount Front X A **B** C D
Rear X A B C **D**



Lower Deck **3** mm
F Suspension Arm Spacer **1.5** mm
R Suspension Arm Spacer **1** mm

Notes **Car very safe, lots of stability in rear**
1st place A-final Mod

Motor **Peak Vantage 12x1**

Spur Gear **102** T Pinion Gear **37** T

Battery **Peak 3300**

Body **P/F Dodge 2**

Wing **Std**

Tire **CS22**

Wheel **JB Orion 26mm**

Tire Insert **Echo J4431**

Best Lap **14.61**